

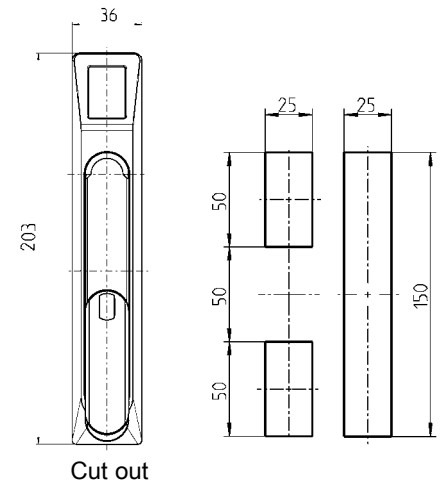


This handle is suitable for locking indoor cabinets. It is integrated in the biometric access control system with the handle module 3500-U20 or connected directly to the stand-alone unit 3500-U10.

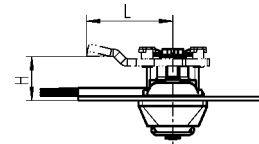
The release is effected by the system after positive authentication of the finger and signalled via the LED in the handle. After pushing the handle briefly into the dish, it can be opened. The integrated reed contact is used to Monitor the handle status remotely. For closing the handle has to be pushed into the dish until the locking mechanism latches. The supplied key is used for opening the handle in case of power failure. For this purpose the cover on the locking cylinder has to be removed. The cylinder cover is destroyed in this process and is to be replaced.



During the release of handle the LED is lit.



Cut out



Swing handle zinc die black; cap and cylinder cover polyamide GF black; shaft AISI 303; round cylinder with stainless steel cap and dust cover; Solenoid with electronics; reed contact and LED; Connection cable (0.2 m) with connector for handle module or communication module stand-alone; fixing material m.s. zinc plated.
Each cylinder has one silver steel key with polyamide GF grip black.

Scope of supply: fingerprint sensor, terminal box, connection cable 4.2 m, door contact

- Further parts see page
- Cams (GH = 18) 3YC-120
 - Rod control 3YA-120
 - 3YA-140
 - Spare key 12B-140

	keyed EK 333	keyed different
Swing handle with fingerprint sensor for rod control and cam	3500-U59	3500-U59-V
Cylinder cover polyamide GF black (spare part)		1150-B33