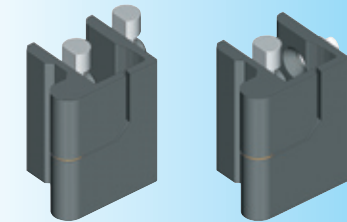
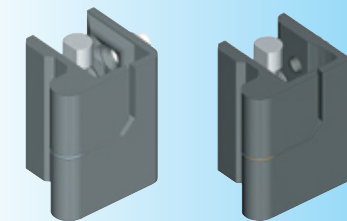


180° hinge PROGRAM 1110

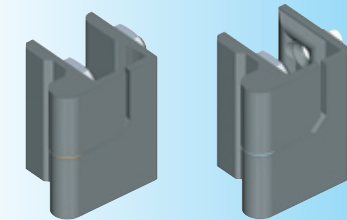
Beschlagteile



Version A+E Version C+E



Version C+E Version D+E



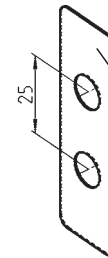
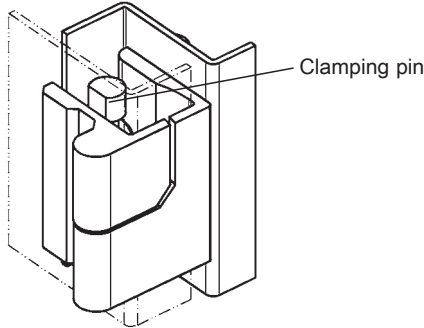
Version B+F Version C+F



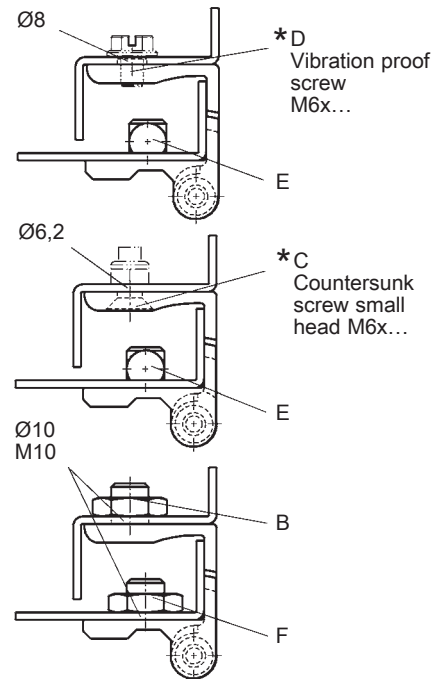
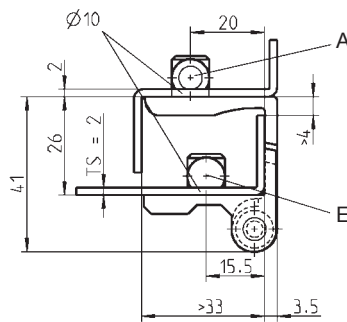
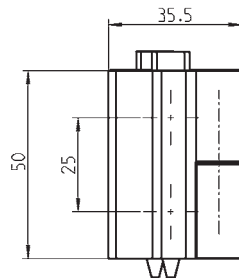
STAINLESS STEEL

180° hinge for in-line cabinets with adjacent door lift-off upon 70° opening angle for 26 mm door return

Version for
Ts = 2



Spacer plate has to be ordered sep. for different door gauges (one plate per clamping bar)



* not included

** 2D-nut possible

Note:
Detachable from 70° viewing angle, but not hinge bracket in AISI and St

small head = DIN ISO 2009, 2010, 7046-1, 7046-2, 7047

Further parts see page
- 2D-nut 12E-120
- Fixing material 12E-100

180° hinge zinc die black powder coated; Fixing pin Polyamide GF			180° hinge; frame part m.s. black powder coated; hinge door part zinc die		
Version	LH	RH	Version	LH	RH
A+E	1110-U71	1110-U68	C+E **(2D)	1110-U118	1110-U119
C+E **(2D)	1110-U69	1110-U66	C+F **(2D)	1110-U120	1110-U121
D+E	1110-U70	1110-U67	180° hinge AISI 316		
B+F	1110-U109	1110-U106	C+F **(2D)	1110-U120-PH	1110-U121-PH
C+F **(2D)	1110-U107	1110-U104			
D+F	1110-U108	1110-U105			
Support plate 304 (1x per pin fixing)					
for Ts 1,0				1110-39-01	
for Ts 1.5				1110-39	