

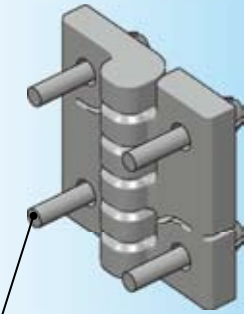
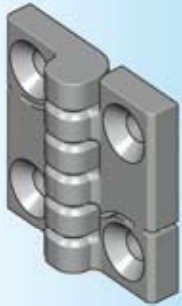
Info

1 Quarter turns

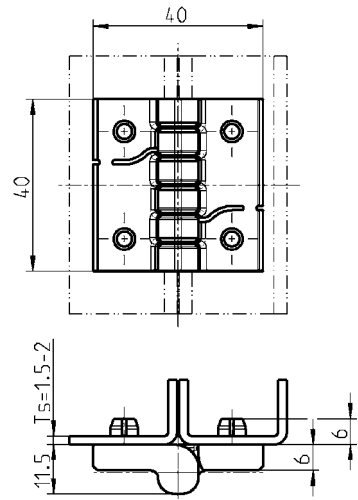
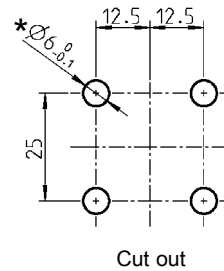
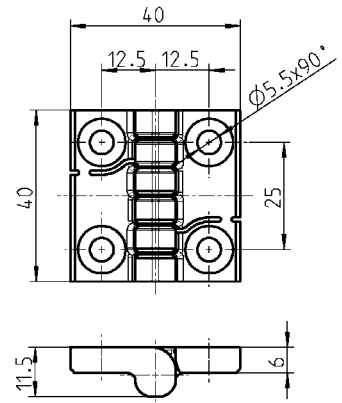
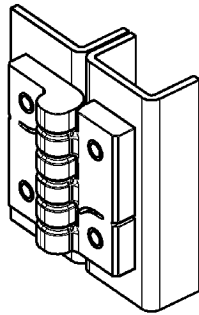
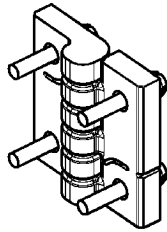
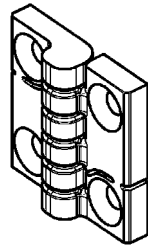
2 Rod controls

3 Locking systems

4 Hinges



Expanding pin



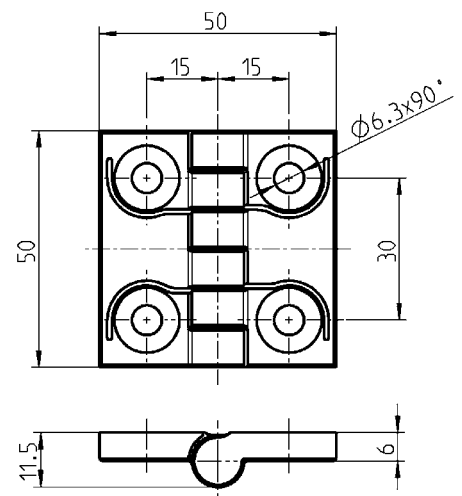
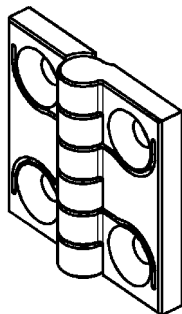
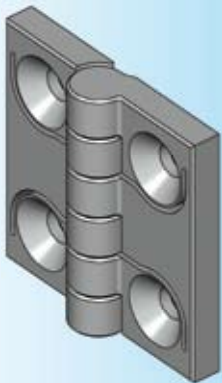
* Attention:
The indicated dimension is the final dimension, please observe in case of surface coatings.

Clip-in hinge for countersunk screw M5 polyamide GF colour as requested, unassembled

black	1056-U66
silver	1056-U66-HW

Clip-in hinge with expansion pins polyamide GF black, unassembled

1056-U67



Clip-in hinge for countersunk screw M6 polyamide GF colour as requested, unassembled

black	1056-U68
silver	on request