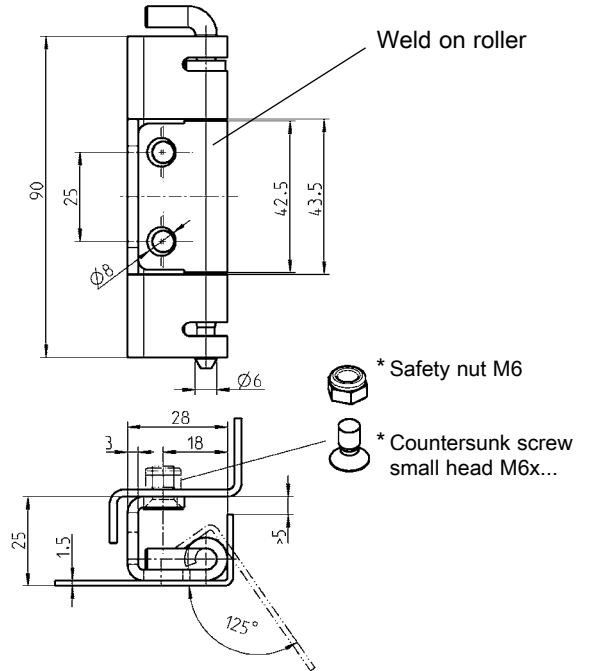
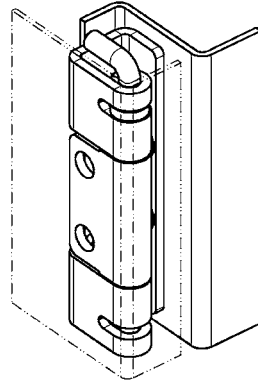


### 125° hinge with captive pin PROGRAM 1031

125° hinge for single cabinets  
for 25 mm door return



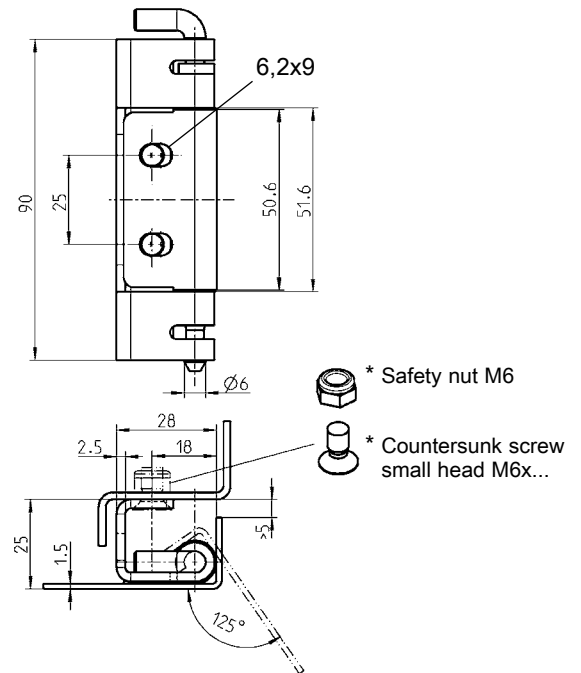
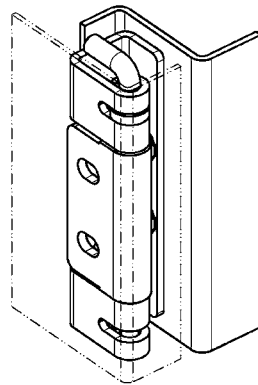
125° hinge m.s. zinc pl.; roller m.s. raw, pin clamping ring POM red

1031-U12



125° hinge for single cabinets  
for 25 mm door return

STAINLESS STEEL



125° hinge material as requested; pin clamping ring POM red

AISI 304

m.s. zinc plated

1031-U13

on request

\* not included

small head = DIN ISO 2009,  
2010, 7046-1, 7046-2, 7047