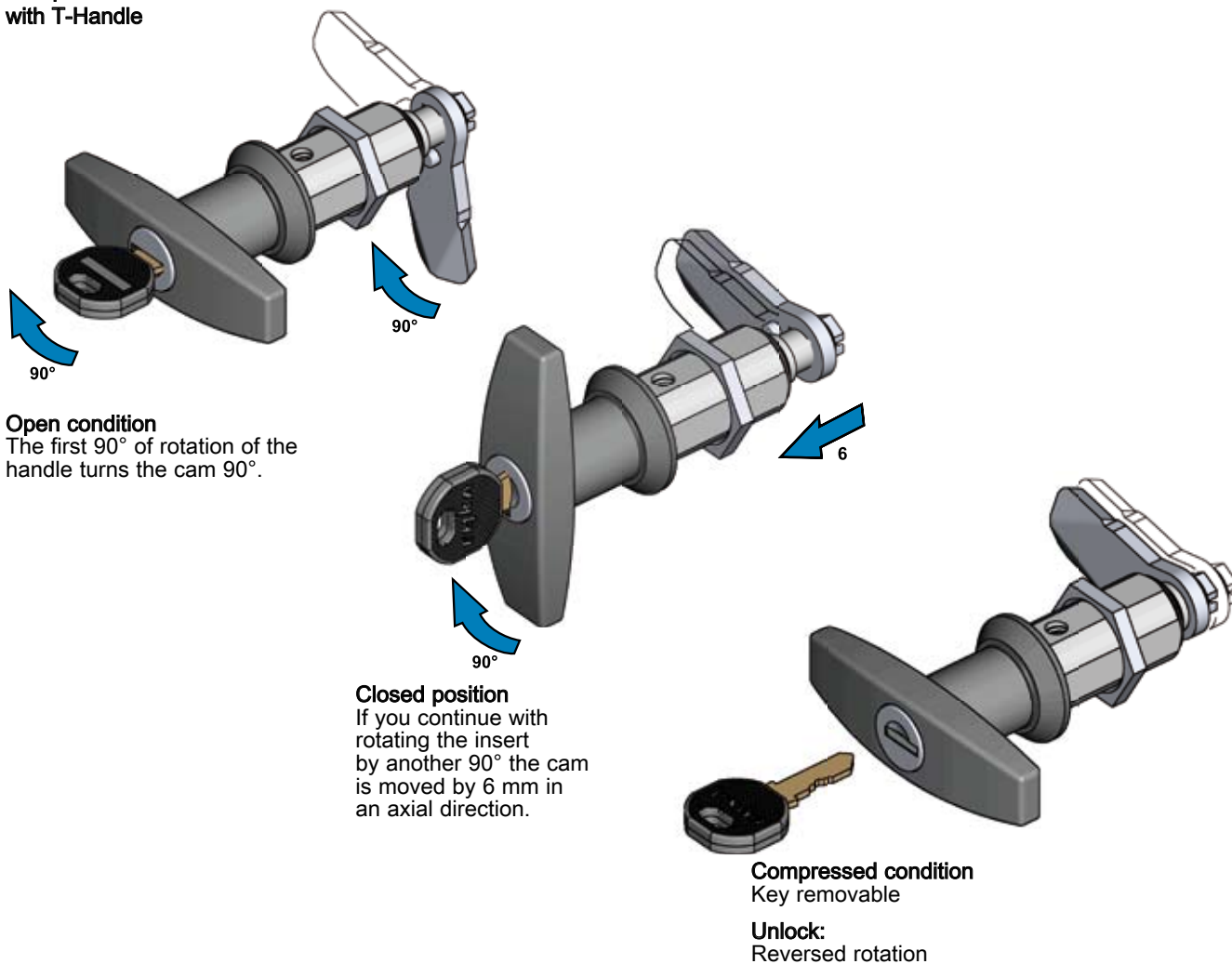


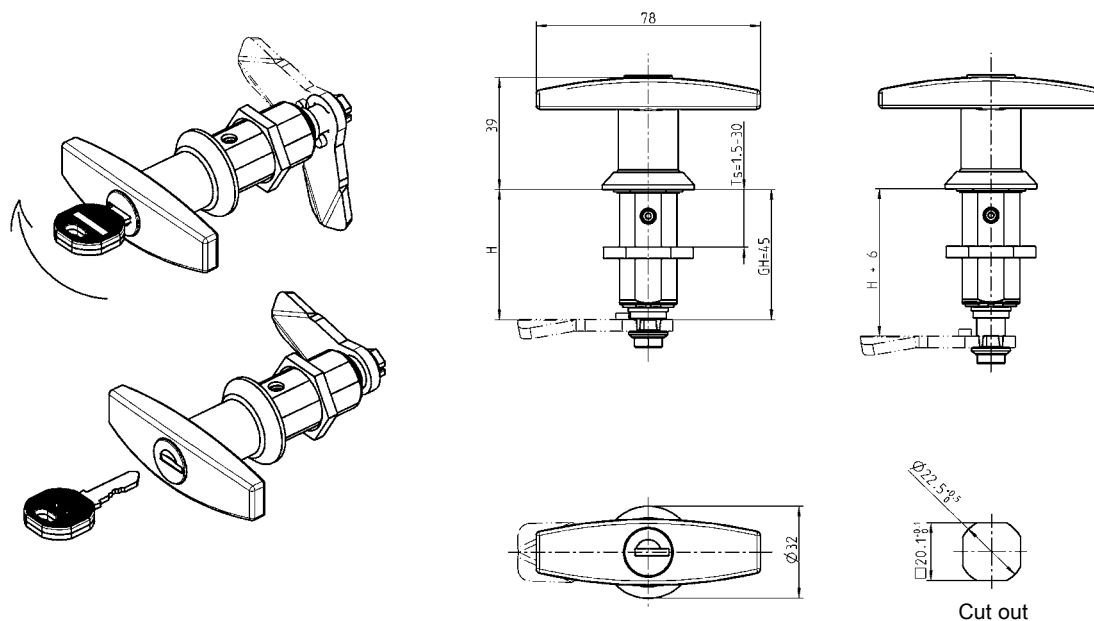
# Compression latch with handle

## PROGRAM 1000

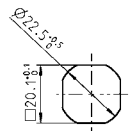
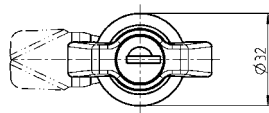
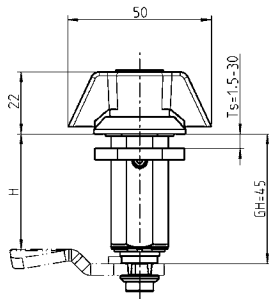
**Attention:**  
**Compression latch with T-Handle**



### Compression latch with T-Handle

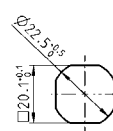
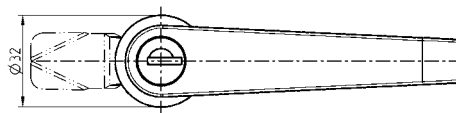
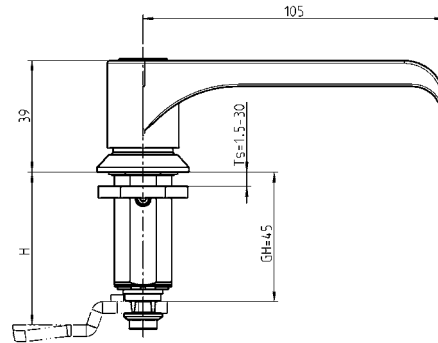


### Compression latch with wing knob



Cut out

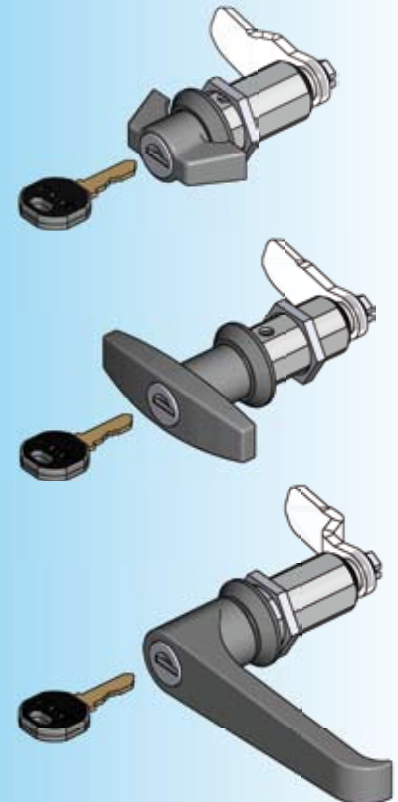
### Compression latch with L-Handle



Cut out

### Shake and vibration proof

The compression latch is of a vibration-proof design. This depends on the installation location and operational conditions. Specific checks are necessary and/or supplementary measures of fastening may be required.



Stainless steel version on request.

Handle and housing zinc die, black powder coated, cylinder zinc die, with stainless steel cap and shutter, nut and screw zinc plated m.s. with spring and seal. Each cylinder has one silver steel key with polyamide grip. Key removable in both positions.

	non locking	keyed EK 333	keyed different
Wing knob	1000-U826	1000-U827	1000-U828
T-Handle	1000-U820	1000-U821	1000-U822
L-Handle	1000-U823	1000-U824	1000-U825

Further parts see page  
 – Cam with or without catch from 1C-120 (not for cam with rod control)  
 – Dust cap for T-Handle 1C-340  
 – Spare key 12B-140