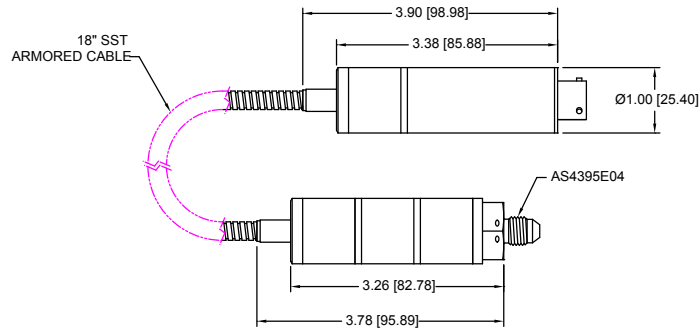


MODEL 7720 Liquid H2 Compatible CRYOGENIC PRESSURE TRANSDUCER



STANDARD WIRING

PIN	VDC	4-20mA
A/1	+EXC	+EXC/SIG
B/2	+SIG	N/C
C/3	-SIG	N/C
D/4	-EXC	-EXC/SIG
E/5	SHUNT (OPT.)	SHUNT (OPT.)
F/6	SHUNT (OPT.)	SHUNT (OPT.)

Standard configurations shown.
Please consult factory for other options.

PRODUCT OVERVIEW:

The Model 7720H2 Series from GP:50 is based on the established and reliable 7720 cryogenic range. It offers reliable pressure sensing in liquid hydrogen, liquid helium or other very low temperature applications. Remote mounted electronics provide a high-level 4-20mA output with trim pots provide zero and span adjustment. The SST, armor jacketed cable provides flexibility in mounting the electronics away from the process temperature. 18"-36" remote flex lengths are available.

FEATURES:

- Cryogenic service down to -423 °F (-253 °C) process
- Operating temperature to +100 °F (+37.7 °C)
- Remote electronics via stainless armored flex cable
- Zero and span adjustment
- Pressure ranges 0-300psi (20.6 BAR)
- Proof pressure 0-600psi (41 bar)
- Nitronic 50 wetted parts
- 6 point Calibration at -320 °F (-196 °C)
- ATEX / IEC approvals

APPLICATIONS:

- Liquid Helium, Liquid Hydrogen processing, transportation, dispensing & storage

OPTIONS:

- 18"-36" armor jacketed cable lengths
- 0-5 Vdc & various digital protocols

GP:50 MODEL 7720

REFERENCE SPECIFICATIONS

(Standard configurations shown, consult factory for other options)

ELECTRICAL	
Output Signal:	04-20 mA
Excitation Voltage:	18 to 36 Vdc, 9 to 36 Vdc (unregulated)
Circuit Protection:	EMI/RFI, some options will affect EMI/RFI rating
Response Time:	4 ms

MATERIALS OF CONSTRUCTION	
Wetted Parts:	Nitronic 50
Housing:	316L Stainless Steel
Armored Cable:	316L

ACCURACY (BFSL): Hysteresis, Non-Linearity & Repeatability @ +70 °F	
Static Accuracy (RSS):	$\leq \pm 0.2\%$ FSO BSFL
Non-linearity:	$\leq \pm 0.20\%$ FSO (Typ)
Hysteresis:	$\leq \pm 0.1\%$ FSO (Typ)
Repeatability:	$\leq \pm 0.1\%$ FSO (Typ)
Zero Balance:	$\pm 1.0\%$ FSO
Span Balance:	$\pm 1.0\%$ FSO

(BFSL method used. Improved options available.)

Calibration:	6 point at -320f NIST Traceable Cert
Workmanship:	IPC-A-610 Soldering
Quality System:	ISO 9001

Options may affect specifications.
Please consult factory for your specific needs.

Specifications are indicative of prototype
and subject to change without notice.

MECHANICAL	
Process Connection:	AS4395E-04 (M) pressure port
Electrical Connection:	MIL PTIH-10-6P standard, options available
Proof Pressure:	1.5X range
Burst Pressure:	2X range
Approximate Weight:	<10 oz. (0.2 kg)

PRESSURE RANGES	
Standard Ranges:	0 to 300 PSI (20.6 BAR)
Consult factory for ranges <300 PSI or >6,000 PSI	

THERMAL SPECIFICATIONS	
Operating Range:	Ambient: -423.4°F to +100°F (-253.3°C to +37.7 °C) Process: -320 °F to +70 °F (-196 °C to +21.1°C)
Compensated Range:	-320 °F to +70 °F (-196 °C to +21.1 °C)
Effect on Zero & Span:	$\pm 1.0\%$ FSO/100 °F (Improved specifications available)

