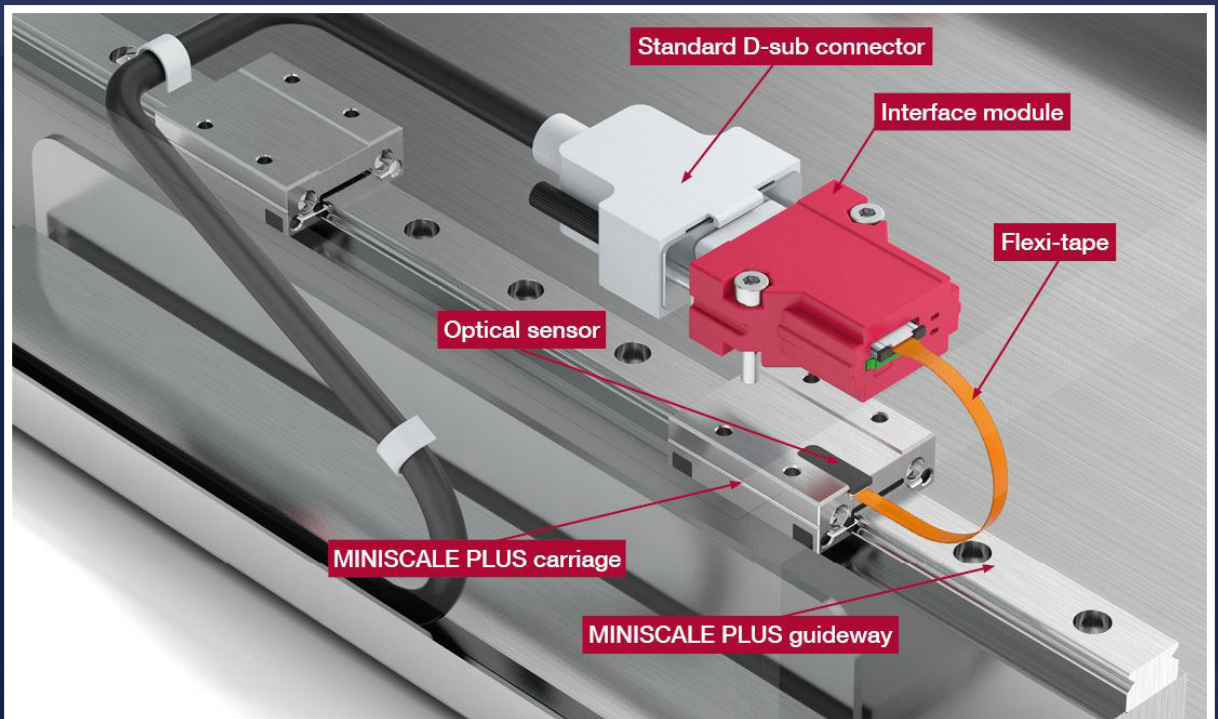


New from LG Motion – Schneeberger’s Miniscale Plus

The miniature guideway with fully integrated guiding and measuring functions

MINISCALE PLUS is based on the **MINIRAIL** miniature guideway and consists of eight rail widths and up to four carriage types. In other words, if you already have **MINIRAIL** fitted, **MINISCALE PLUS** will be compatible and offers the benefit of its integrated measuring system. The measuring sensor is an integral component in the carriage and therefore no additional installation space is required thus simplifying assembly and installation.



MINISCALE PLUS is accurate and reliable as measurements are taken directly as part of normal operation, which significantly reduces Abbe errors. We offer analog 1 Vss and digital TTL output signals with linearity of $\pm 5 \mu\text{m}$ over one meter and a resolution of $0.1 \mu\text{m}$. The **MINISCALE PLUS** is one single unit making it very stable and insensitive to vibrations and shocks. As the measuring scale is a part of the carriage and **MINISCALE PLUS** measures the actual position as feedback for the regulation, the thermal elongation and the compensation allowance for the controller are reduced. Since **MINISCALE PLUS** is based on the successful **MINIRAIL** design, even service-life values are ultimately comparable aiming the **MINISCALE PLUS** the right solution for many scientific and industrial applications.



Reduced design costs

As the **MINISCALE** measurement system is already integrated in the unit there are no further design costs associated with fitting a separate measuring system. At the same time space is saved through the compact design.

For more information on LG Motion products and services please contact:
info@lg-motion.co.uk Tel: 01256 365600 www.lg-motion.co.uk