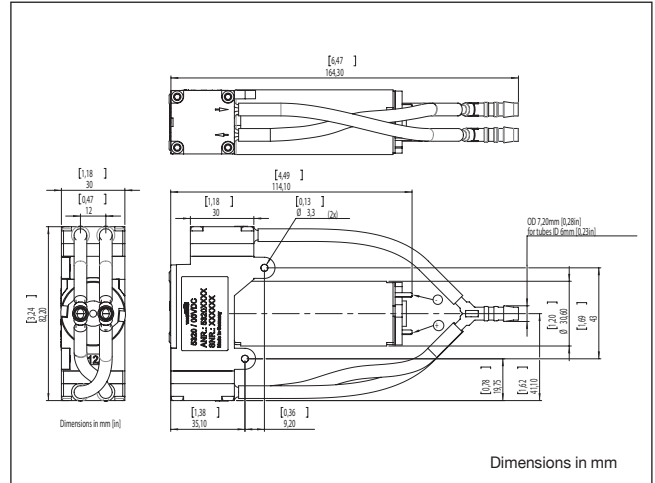


Diaphragm Liquid Pump 5002F Twin Head DC

Flow	1.000 ml/min
Pressure range	up to 25 m H₂O
Suction height	4,5 m H₂O



Hydraulic Data

Description	5002F Twin DC Carbon/EPDM	
Part number	12 V	53200001
	24 V	53200002
Max. flow (parallel config.)	1.000 ml/min	
Max. intermittent pressure height	25 m H ₂ O	
Max. cont. pressure height	10 m H ₂ O	
Max. suction height	4,5 m H ₂ O	

Electrical Data

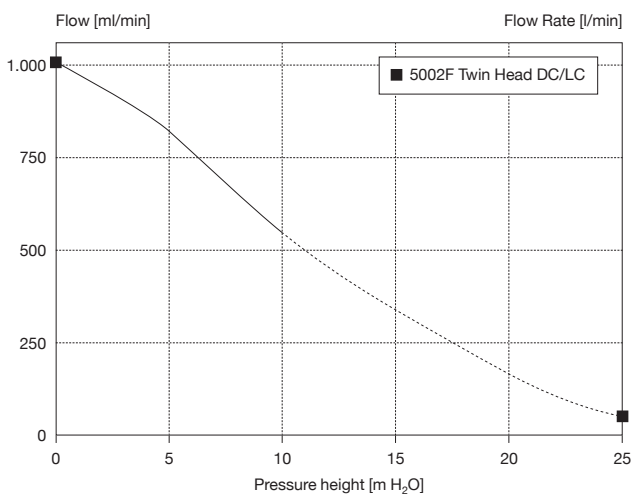
Motor type	Brushed DC	
Nominal speed	2.700 rpm	
Nominal voltage	12/24 V DC	
Max. power consumption @ 10mH ₂ O	6,5 W	
Motor insulation class	E	
Protection class	IP00	
EMC protection	Yes	

General Data

Ambient temperature	0 to 40°C	
Media temperature	0 to 70°C	
Weight	0,340 kg	

The technical data is related to a PVC-tubing, OD 10mm x ID 6mm, Hardness Shore D 75.

Flow Curves



Wetted Parts

Pump head	Carbon
Diaphragm	EPDM
Valves	EPDM

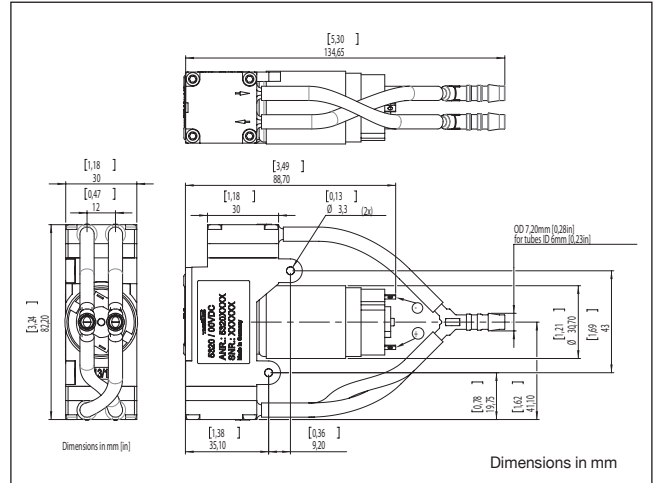
5320... Stock programme

The information presented in this material is based on technical data and test results of nominal units. It is believed to be accurate and reliable and is offered as an aid to help in the selection of Thomas products. It is the responsibility of the user to determine the suitability of the product for the intended use and the user assumes all risk and liability whatsoever in connection therewith. Thomas does not warrant, guarantee or assume any obligation or liability in connection with this information.

THOMAS
A Gardner Denver Product

Diaphragm Liquid Pump 5002F Twin Head LC

Flow	1.000 ml/min
Pressure range	up to 25 m H₂O
Suction height	4,5 m H₂O



Hydraulic Data

Description	5002F Twin LC Carbon/EPDM	
Part number	12 V	53200003
	24 V	53200004
Max. flow (parallel config.)	1.000 ml/min	
Max. intermittent pressure height	25 m H ₂ O	
Max. cont. pressure height	10 m H ₂ O	
Max. suction height	4,5 m H ₂ O	

Electrical Data

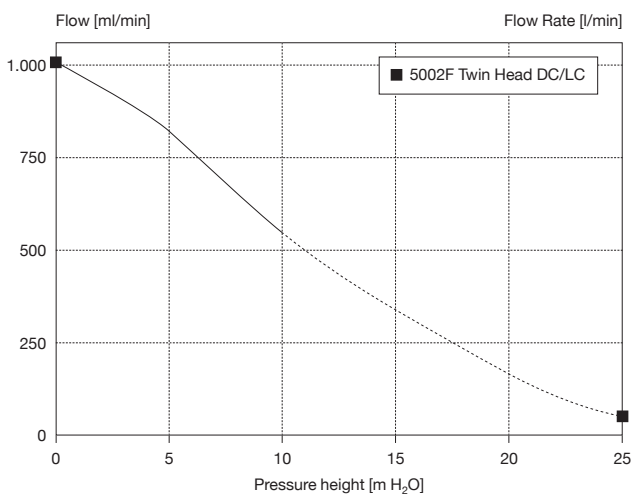
Motor type	Brushed DC
Nominal speed	2.600 rpm
Nominal voltage	12/24 V DC
Max. power consumption @ 10mH ₂ O	7,2 W
Motor insulation class	F
Protection class	IP00
EMC protection	Yes

General Data

Ambient temperature	0 to 40°C
Media temperature	0 to 70°C
Weight	0,240 kg

The technical data is related to a PVC-tubing, OD 10mm x ID 6mm, Hardness Shore D 75.

Flow Curves



Wetted Parts

Pump head	Carbon
Diaphragm	EPDM
Valves	EPDM

5320... Stock programme

The information presented in this material is based on technical data and test results of nominal units. It is believed to be accurate and reliable and is offered as an aid to help in the selection of Thomas products. It is the responsibility of the user to determine the suitability of the product for the intended use and the user assumes all risk and liability whatsoever in connection therewith. Thomas does not warrant, guarantee or assume any obligation or liability in connection with this information.

THOMAS
A Gardner Denver Product

Printed in Germany.

02/2012

ClimatePartner

klimateutral gedruckt

Gardner Denver Thomas GmbH

Benzstraße 28 · Gewerbegebiet Nord · D-82178 Puchheim

Phone: +49 89 80900-0 · Fax: +49 89 808368

e-Mail: thomas.de@gardnerdenver.com · <http://www.gd-thomas.com>