

Technical Information

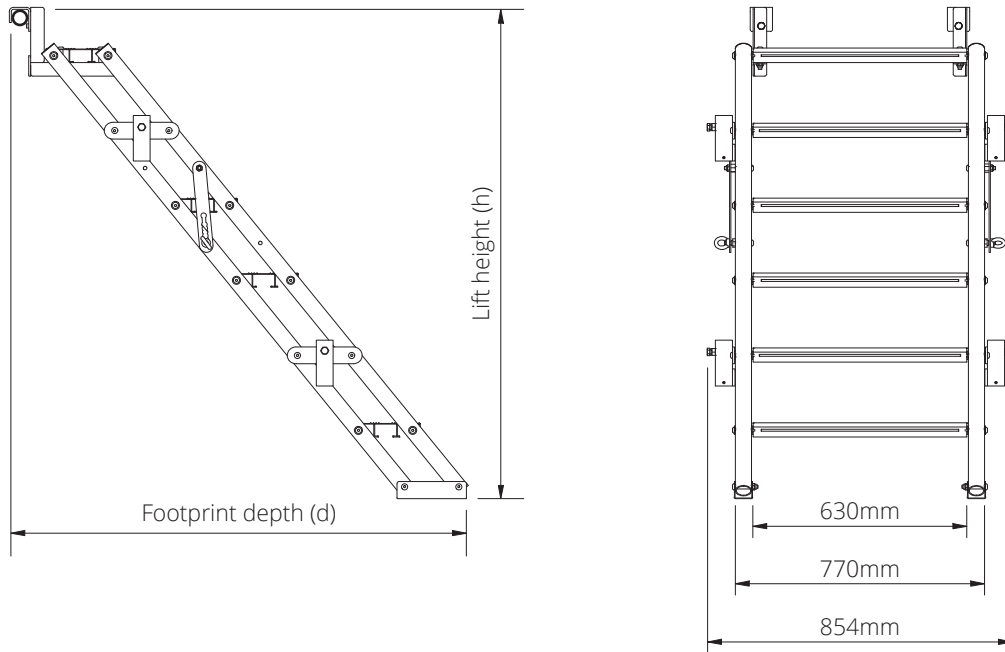
STANDARD	BS EN 12811	
VERSIONS	There are 4 standard versions available: 4 tread (1.0m), 6 tread (1.5m), 9 tread (2.0m) & 15 tread (3.0m)	
TREAD WIDTH	630mm clear internal width	
TREAD DEPTH	205mm overall	
TREAD LOADING	200kg UDL	
TREAD MATERIAL	Extruded aluminium slip-resistant planks	
STRINGERS	48mm dia. extruded aluminium tube	
HANDRAILS	Quick-fitting aluminium handrails	
TOP BRACKETS	Scaffold tube connection (standard), Low rise scaffold tube connection, Flat slab connection.	

As standard, Universal Stair units are supplied with handrail sockets and scaffold tube connection brackets that are designed for boards set on top of transverse rails. To give users maximum flexibility, the ALTO Universal Stair Units can also be supplied:

- Without handrail sockets to allow tube and fitting guardrails
- With alternative hooks designed for various board types and slabs

If either of these options is required - please specify at the time of ordering.

Dimensions



All units have a clear tread width of 630mm and an overall width of 854mm including handrail sockets. Units without handrail sockets are 770mm wide.

Part Number	Product	Steps	Lift Height (h)		Footprint (d)		Weight
			Min. lift	Max. lift	Min. lift	Max. lift	
US-001-A	1.0m Universal Stair Unit inc. Handrail Sockets	4	732	1001	994	1228	25.6
US-002-A	1.5m Universal Stair Unit inc. Handrail Sockets	6	1030	1493	1713	1354	32.7
US-003-A	2.0m Universal Stair Unit inc. Handrail Sockets	9	1477	2106	2442	1894	43.4
US-004-A	3.0m Universal Stair Unit inc. Handrail Sockets	15	2372	3431	3899	2976	72.0

Part Number	Product	Steps	Weight
US-101	Universal Stair Handrail - 1.0m	4	7.2
US-102	Universal Stair Handrail - 1.5m	6	7.7
US-103	Universal Stair Handrail - 2.0m	9	9.5
US-104	Universal Stair Handrail Set - 3.0m	15	16.6