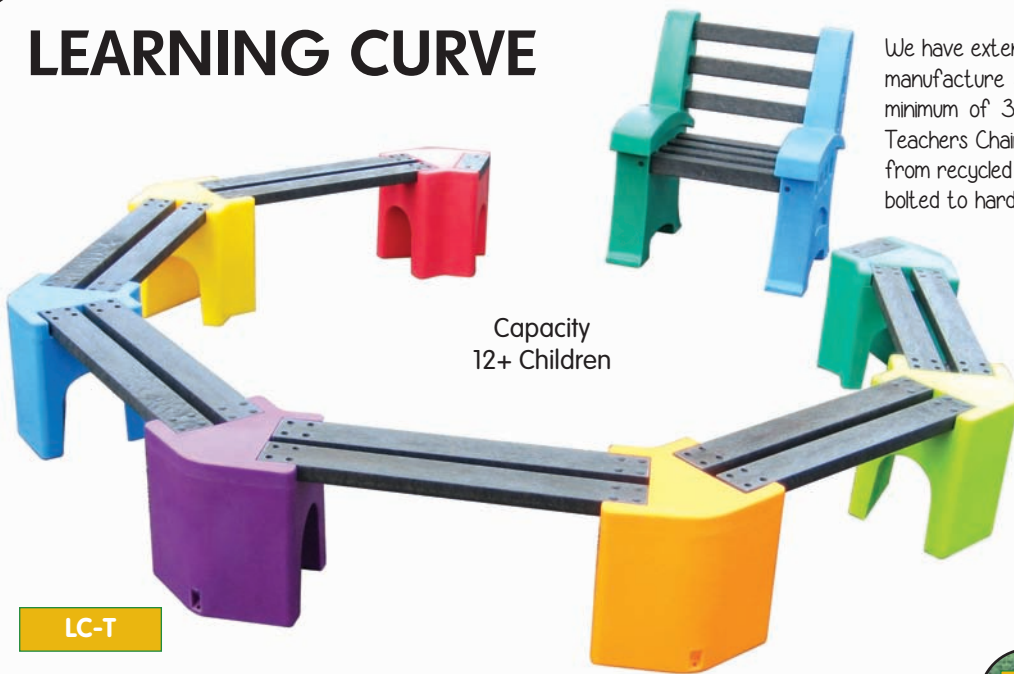
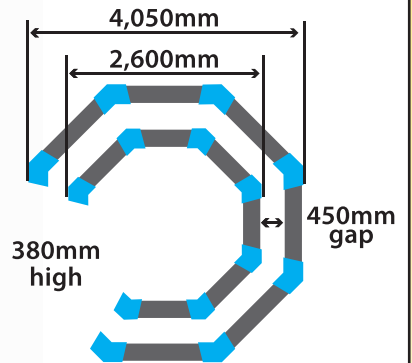


LEARNING CURVE



Capacity
12+ Children



We have extended the size of the 'Learning Curve' and now manufacture a 'Learning Arena' which will accommodate a minimum of 30 children, and is available together with a Teachers Chair. The products are manufactured in the UK from recycled and recyclable polyethylene and can either be bolted to hard surfaces or earth-fixed.

CODE	PRODUCT	PRICE
LC	Learning Curve	£429.00
LLC	Large Learning Curve	£615.00
LA	Learning Arena	£995.00
LC-T	Learning Curve + Teachers Chair	£528.00
LLC-T	Large Learning Curve + Teachers Chair	£714.00
LA-T	Learning Arena + Teachers Chair	£1094.00
EK-LC	Earth Fixing Kit for Learning Curve	£109.00
EK-LLC	Earth Fixing Kit for Large Learning Curve	£109.00
EK-LA	Earth Fixing Kit for Learning Arena	£218.00

OPTIONS	
LC	LC-T
LLC	LLC-T
LA	LA-T



FEATURES: Maintenance free. Ground fixing bolts for hard surfaces. Environmentally friendly, made with recycled and recyclable plastic. Vandal resistant. UV stable.

LEARNING ARENA



Capacity
30+ Children

ALL STRUTS ARE AVAILABLE IN BLACK ONLY BUT ARE 100% RECYCLED MATERIALS



All prices are subject to VAT but include delivery to any UK Mainland site. Delivery to Northern Ireland & The Scottish Highlands add £35.00 per product.

Sales Office
Theme Bins International Ltd
Known House, 84 Dale Street, Ossett, Wakefield, West Yorkshire, WF5 9HJ, England
Tel: +44 (0) 844 8794154 Fax: +44 (0) 1924 270699
email: themebins@btconnect.com



www.themebins.co.uk