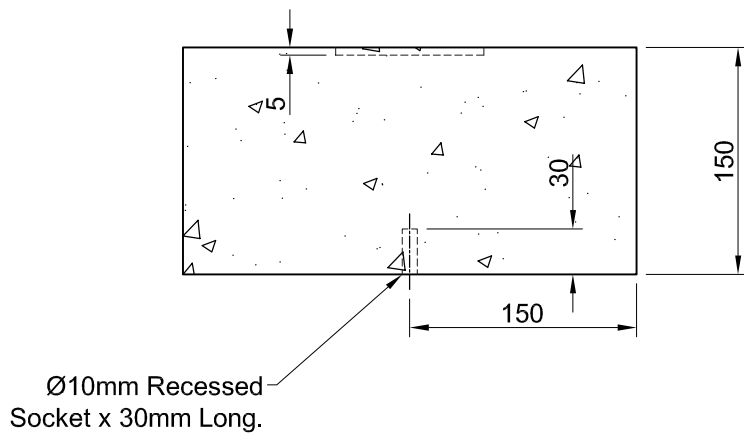
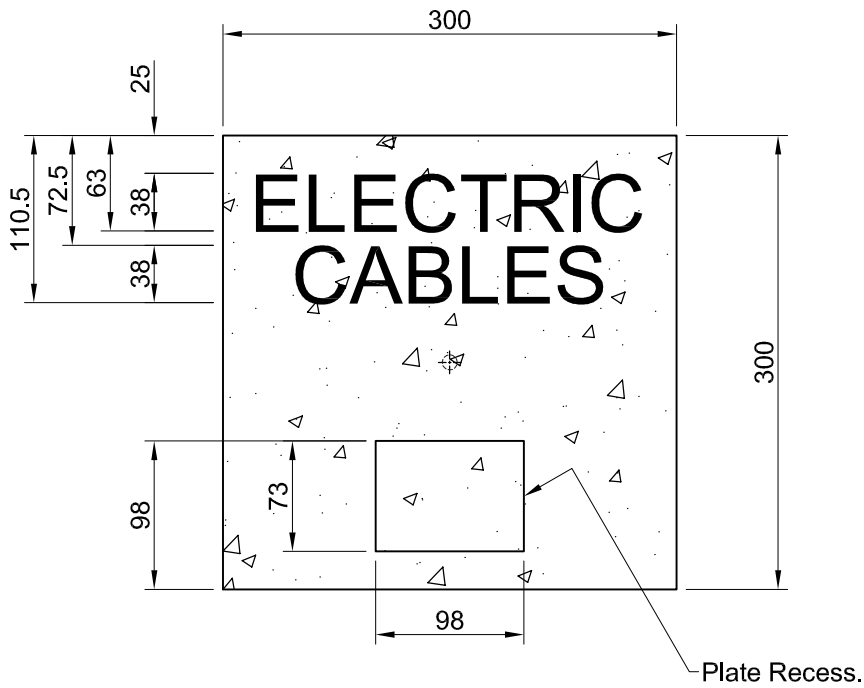
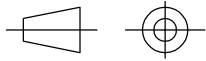


PROJECTION



Notes:

Unit Weight 35kg

DRN	CTC	DATE	15-07-10	TITLE	300 x 300 x 150mm Marker Block	
CHKD		DRG SIZE	A4	ELITE PRECAST CONCRETE LIMITED		
SCALE		1:5	DRG	028	REV	0