

Woodstock Bollard



DETAILED DESCRIPTION:

Designed to provide way-marker illumination at night for enhanced visibility of cycle-ways and footpaths, car parks and promenades, or for general low level illumination of entrance ways, or boundary demarcation.

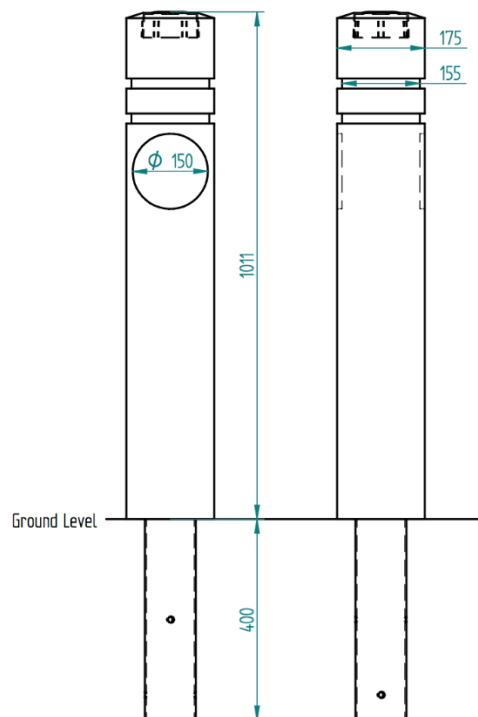
No electrical installation or wiring is required, the recessed solar powered LED light charges during the day and stays illuminated **all** night, giving visibility up to 900 metres. The solar light has been fully tested and approved by The Department of Transport and is guaranteed for 10 years. It is unaffected by water (IP68 compliant) and is available in a choice of white, red, green, blue or amber lights; uni or bi-directional.

The square profile bollard combines the strength of an internal steel core with an outer coating of engineering-grade polymer manufactured from a renewable chemical source, and finished with a realistic wood-grain effect finish. High performance, two-part, aviation grade polyurethane paint, with the highest quality UV filters, ensures the bollard is hard wearing, environmentally friendly and virtually maintenance free.

PRODUCT SPECIFICATION:

1011mm above ground
400mm below ground
175mm at widest point

No wires - Solar powered light
Guaranteed for 10 years
Unaffected by water (IP68 compliant)
Solar Light approved by Department for Transport
Available with white, red, blue, amber or green light
Uni or bi-directional lights
Root fixed or bolt down
Ram raid deterrent option
Optional reflective bands
Optional recessed traffic information symbols



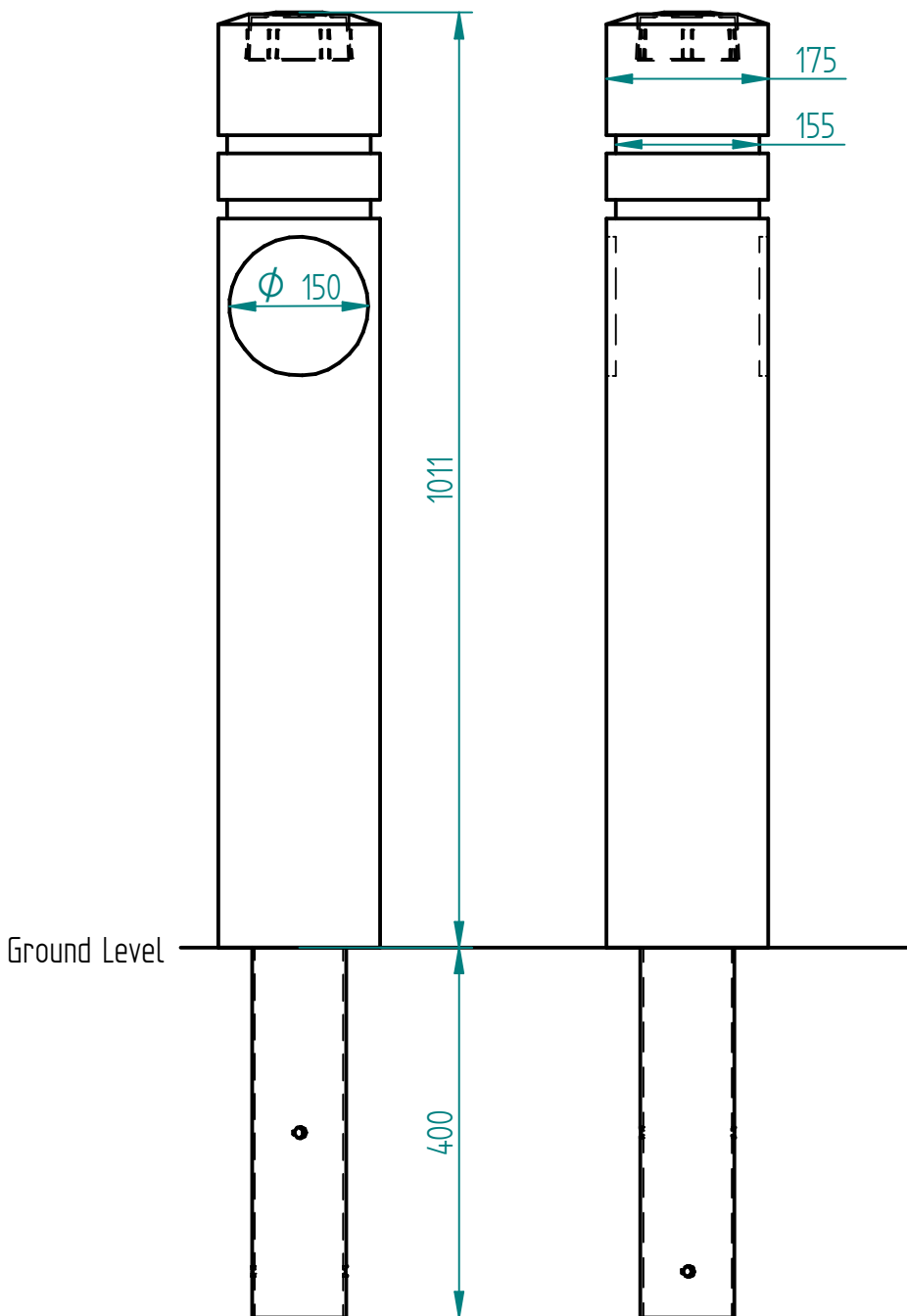
sales@bollards-international.com

Bollards International

Station Road, Roydon, King's Lynn, Norfolk, PE32 1AW Tel: 01485 601145 Fax: 01485 601144 www.bollards-international.com

Manufacturers of Enviro-Cast™ Street Furniture

Woodstock SP Bollard



Measurements:

1011 mm above ground
400 mm below ground
175mm at widest point

Fixings:

Root, bolt down or removable

Composition:

Inner structural steel core,
engineering grade polymer
manufactured from renewable
sources

Finish:

High performance, aviation
grade, two part polyurethane
paint. Available in any RAL
colour

All our polyurethane products
are virtually maintenance free
and built to last

Steel Dia.	Scale	DATE
114.3 mm	1:7	03/17/15
UNLESS OTHERWISE SPECIFIED DIMENSIONS ARE IN MILLIMETERS		

sales@bollards-international.com

Bollards International

Station Road, Roydon, King's Lynn, Norfolk, PE32 1AW Tel: 01485 601145 Fax: 01485 601144 www.bollards-international.com

Manufacturers of Enviro-Cast™ Street Furniture