

# Woodstock SP Bollard



## DETAILED DESCRIPTION:

Designed to provide way-marker illumination at night for enhanced visibility of cycle-ways and footpaths, car parks and promenades, or for general low level illumination of entrance ways, or boundary demarcation.

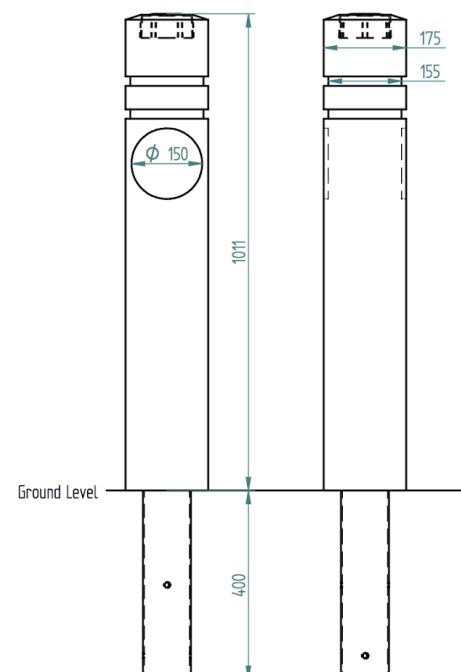
No electrical installation or wiring is required, the recessed solar powered LED light charges during the day and stays illuminated **all** night, giving visibility up to 900 metres. The solar light has been fully tested and approved by The Department of Transport and is guaranteed for 10 years. It is unaffected by water (IP68 compliant) and is available in a choice of white, red, green, blue or amber lights; uni or bi-directional.

The square profile bollard combines the strength of an internal steel core with an outer coating of engineering-grade polymer manufactured from a renewable chemical source, and finished with a realistic wood-grain effect finish. High performance, two-part, aviation grade polyurethane paint, with the highest quality UV filters, ensures the bollard is hard wearing, environmentally friendly and virtually maintenance free.

## PRODUCT SPECIFICATION:

1011mm above ground  
400mm below ground  
175mm at widest point

No wires - Solar powered light  
Guaranteed for 10 years  
Unaffected by water (IP68 compliant)  
Solar Light approved by Department for Transport  
Available with white, red, blue, amber or green light  
Uni or bi-directional lights  
Root fixed or bolt down  
Ram raid deterrent option  
Optional reflective bands  
Optional recessed traffic information symbols



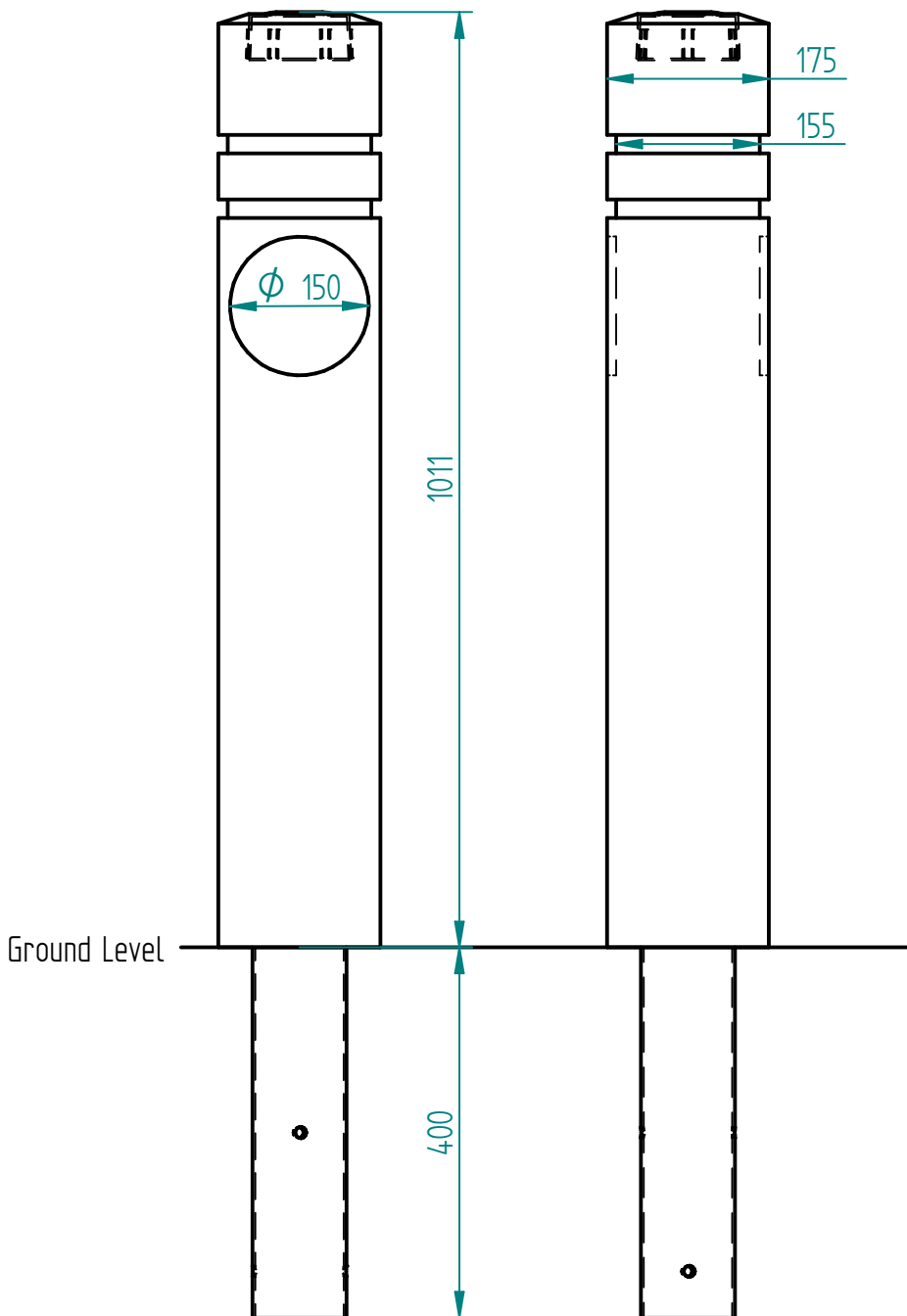
[sales@bollards-international.com](mailto:sales@bollards-international.com)

**Bollards International**

Station Road, Roydon, King's Lynn, Norfolk, PE32 1AW Tel: 01485 601145 Fax: 01485 601144 [www.bollards-international.com](http://www.bollards-international.com)

Manufacturers of Enviro-Cast™ Street Furniture

# Woodstock SP Bollard



**Measurements:**

1011 mm above ground  
400 mm below ground  
175mm at widest point

**Fixings:**

Root, bolt down or removable

**Composition:**

Inner structural steel core,  
engineering grade polymer  
manufactured from renewable  
sources

**Finish:**

High performance, aviation  
grade, two part polyurethane  
paint. Available in any RAL  
colour

All our polyurethane products  
are virtually maintenance free  
and built to last

Steel Dia.	Scale	DATE
114.3 mm	1:7	03/17/15
UNLESS OTHERWISE SPECIFIED DIMENSIONS ARE IN MILLIMETERS		

[sales@bollards-international.com](mailto:sales@bollards-international.com)

**Bollards International**

Station Road, Roydon, King's Lynn, Norfolk, PE32 1AW Tel: 01485 601145 Fax: 01485 601144 [www.bollards-international.com](http://www.bollards-international.com)

Manufacturers of Enviro-Cast™ Street Furniture