

Manchester Solar Pathfinder

Bollard



DETAILED DESCRIPTION:

The Manchester SP Bollard requires no electrical installation or wiring. The solar powered light charges during the day and stays illuminated all night, giving visibility up to 900 metres. The solar light has been approved by The Department of Transport and is guaranteed for 10 years.

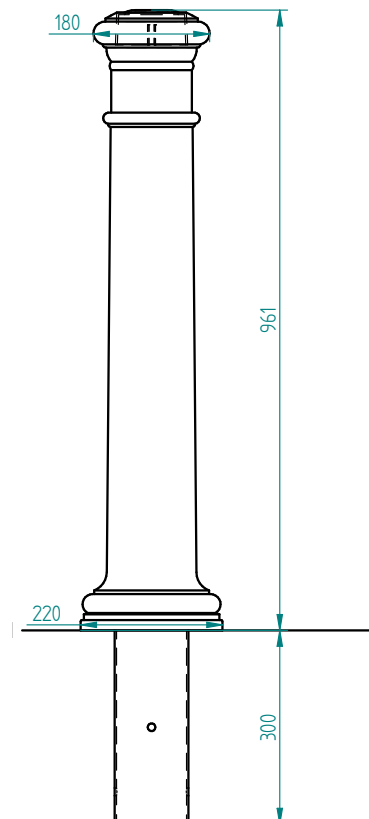
Available with a choice of white, red, green, blue and amber lights.

Inner structural steel core, engineering grade polymer manufactured from renewable sources. Highest quality UV filters and high performance two part polyurethane paint.

All our polyurethane bollards are virtually maintenance free and environmentally friendly.

PRODUCT SPECIFICATION:

- No wires
- Solar powered light
- Guaranteed for 10 years
- Unaffected by water (IP68 compliant)
- Solar Light approved by Department for Transport
- Available with white, red, blue, amber or green light
- 961mm above ground
- 300mm below ground
- 220mm at widest point
- Root fixed, bolt down or removable
- Ram raid deterrent option
- Choice of RAL colours
- Option of reflective and painted bands



sales@bollards-international.com

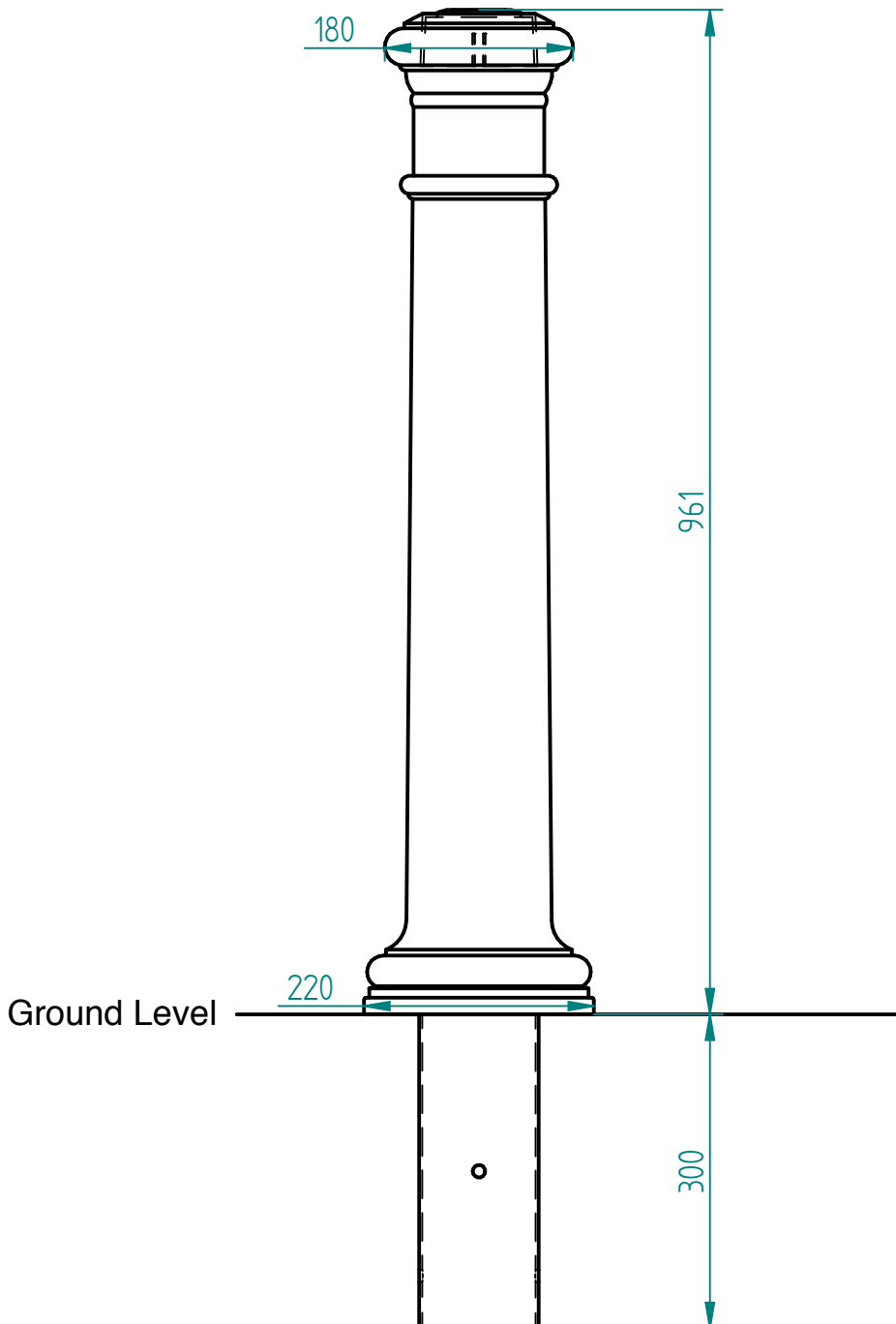
Bollards International

Station Road, Roydon, King's Lynn, Norfolk, PE32 1AW Tel: 01485 601145 Fax: 01485 601144 www.bollards-international.com

Manufacturers of Enviro-Cast™ Street Furniture

Manchester Solar Pathfinder

Bollard



Measurements :

961 mm above ground
300 mm below ground
220 mm at widest point

Fixings:

Root, bolt down or
removable

Composition:

Inner structural steel core,
engineering grade polymer
manufactured from
renewable sources

Finish:

High performance, aviation
grade, two part
polyurethane paint.
Available in any RAL colour

All our polyurethane
products are virtually
maintenance free and built
to last

Steel Dia.	Scale	DATE
114.3 MM	1:7	09/30/14
UNLESS OTHERWISE SPECIFIED, DIMENSIONS ARE IN MILLIMETERS		

sales@bollards-international.com

Bollards International

Station Road, Roydon, King's Lynn, Norfolk, PE32 1AW Tel: 01485 601145 Fax: 01485 601144 www.bollards-international.com

Manufacturers of Enviro-Cast™ Street Furniture