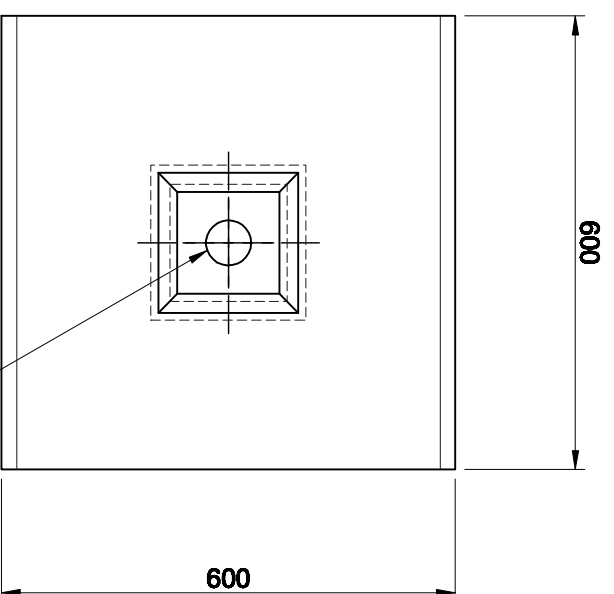
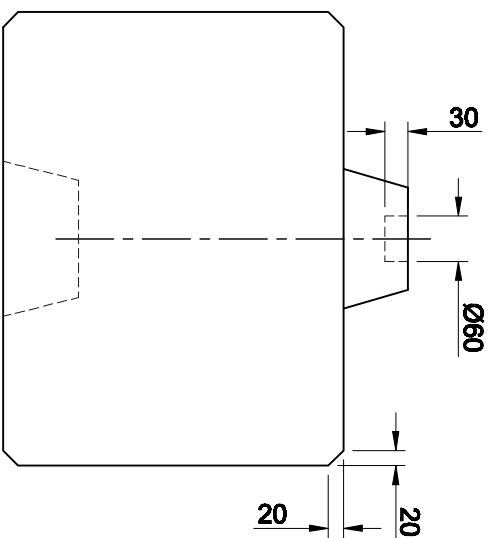


**Total Block Weight : 375Kg**

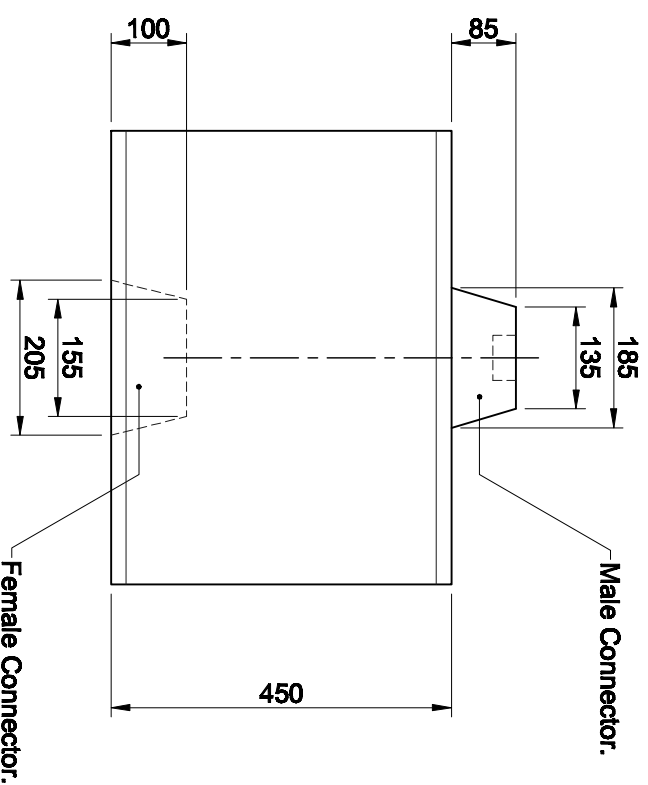


**PLAN**

Ø60mm Dia Semi-Spherical Recess in Gravitational Centre of Block for 'Deha' type Lifting Pin. (Lifting Pin is rated to 1.3 tonnes with a safety factor of 3).



**END**



**ELEVATION**

**PROJECTION**



**TITLE**  
**INTERLOCKING CONCRETE BLOCKS - HALF**  
**ELITE PRECAST CONCRETE LIMITED**

DRN

CTC

DATE 07-02-11

CHKD

DRG SIZE

A3

SCALE

1:10

AND AS NOTED

DRG

073

REV

0