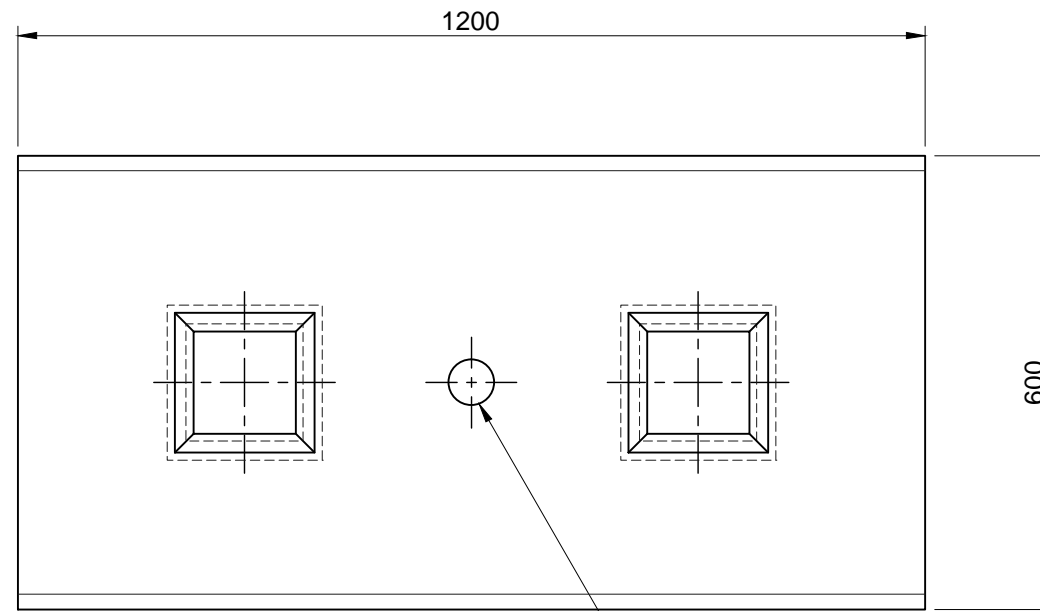
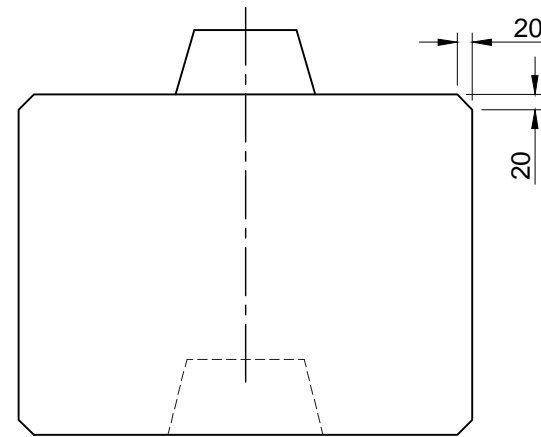


Total Block Weight : 750Kg

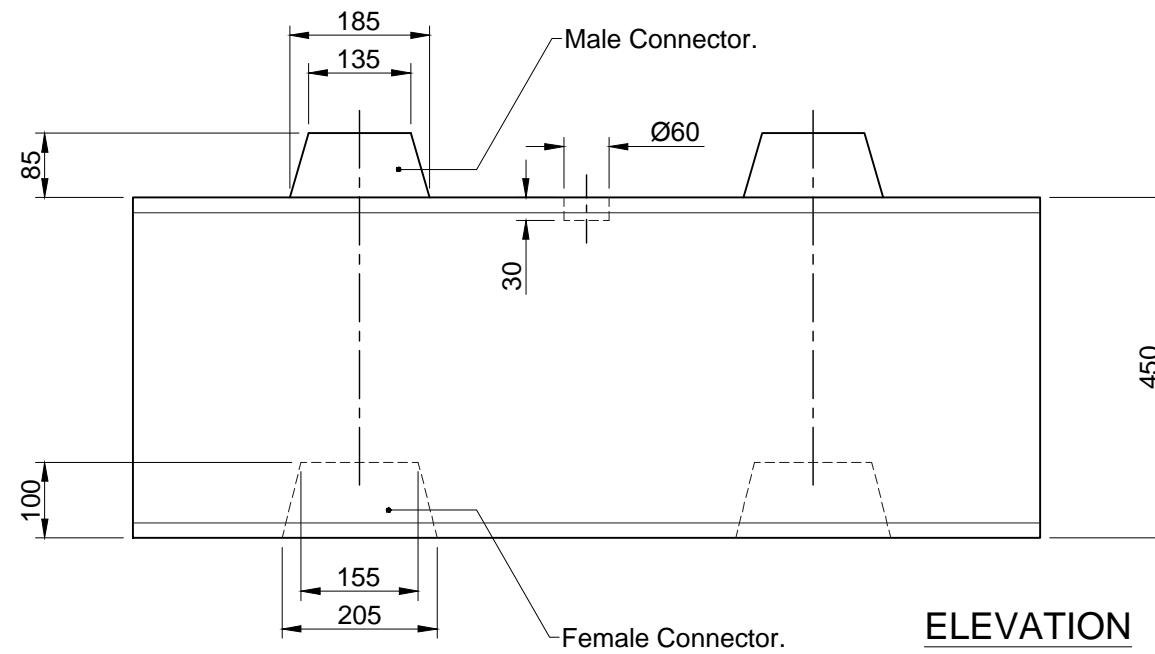


PLAN

Ø60mm Dia Semi-Spherical Recess in Gravitational Centre of Block for 'Deha' type Lifting Pin.
(Lifting Pin is rated to 2.5 tonnes with a safety factor of 3).

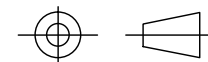


END



ELEVATION

PROJECTION



TITLE

INTERLOCKING CONCRETE BLOCKS
ELITE PRECAST CONCRETE LIMITED

DRN

CTC

DATE 06-01-12

CHKD

DRG SIZE A3

SCALE

1:10

AND AS NOTED

DRG

001

REV

A