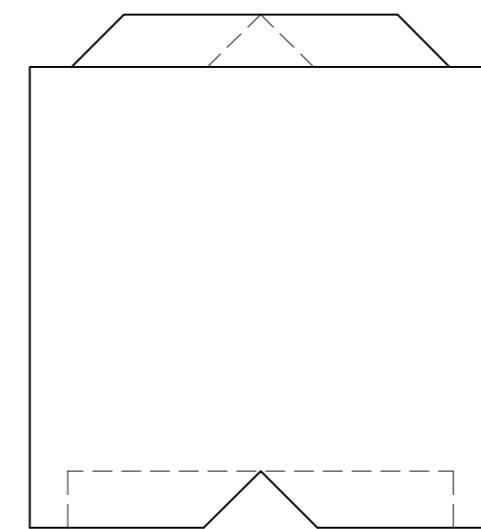
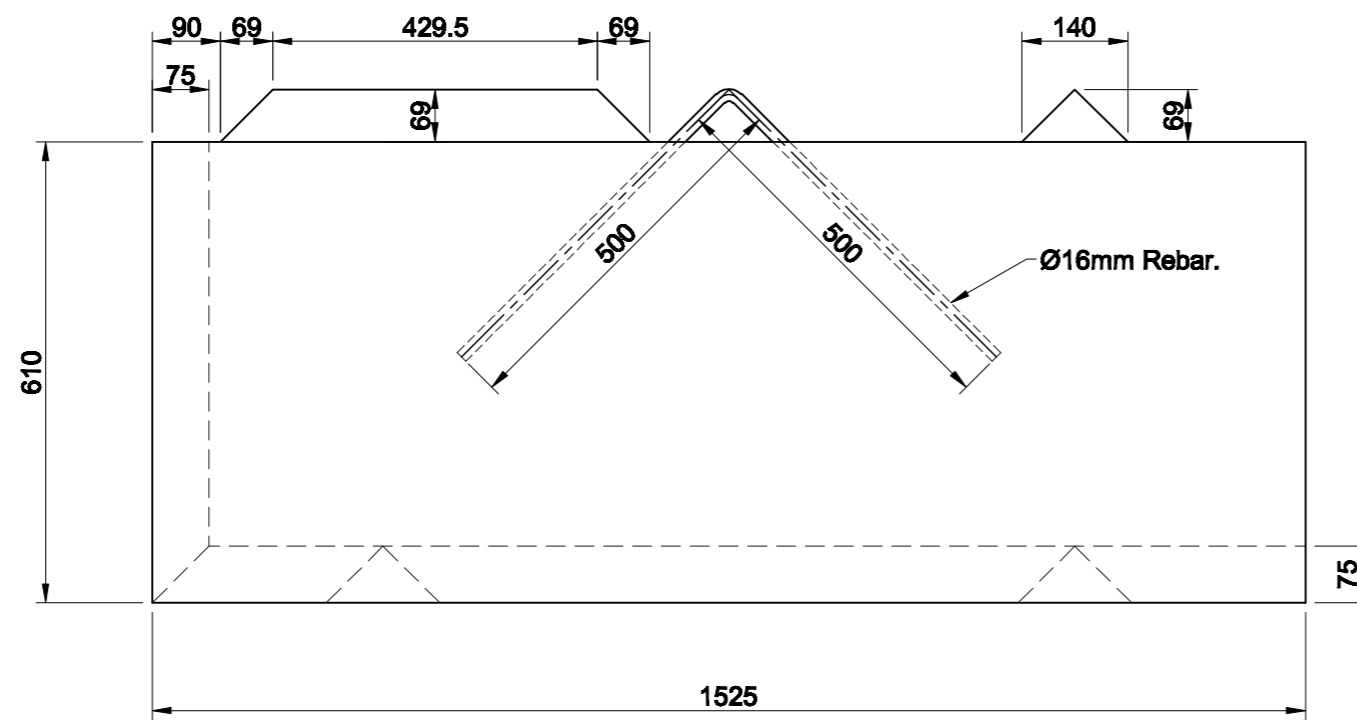
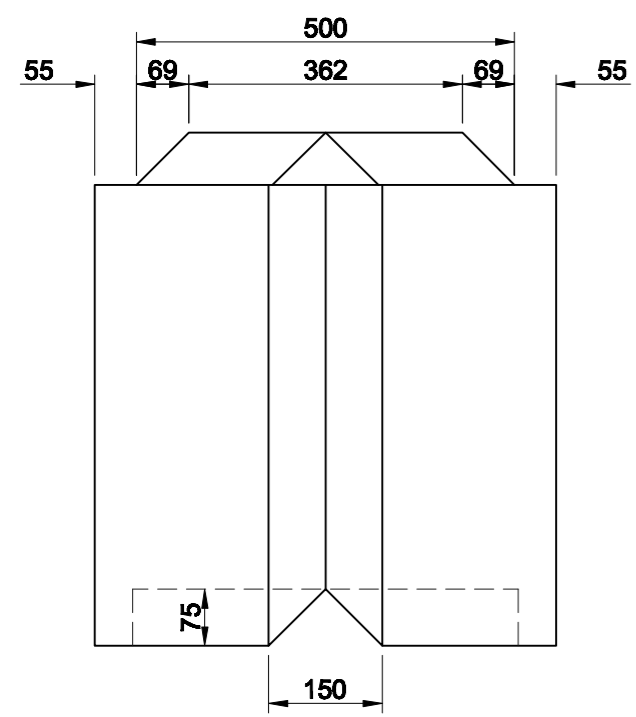


Weight : 1333Kg



DRN	CTC	DATE	08-06-11	TITLE	1525 x 610 - Type 3 V-Interlock Block ELITE PRECAST CONCRETE LIMITED	
CHKD		DRG SIZE	A2			
		SCALE	1:10	AND AS NOTED	DRG	082
					REV	0