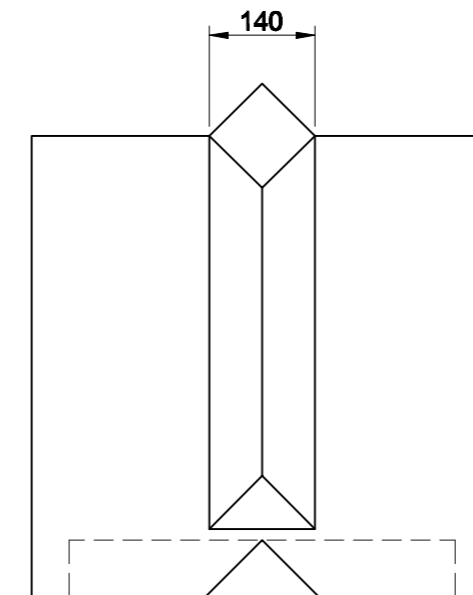
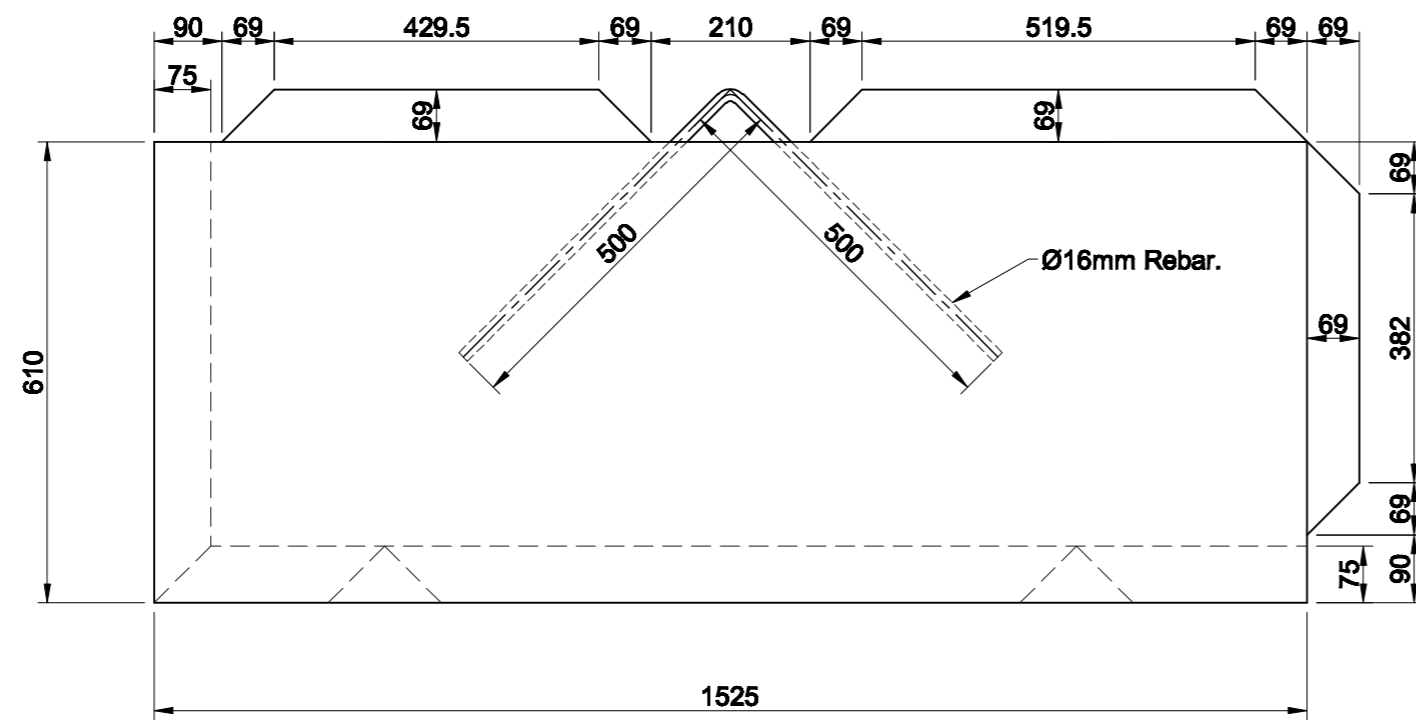
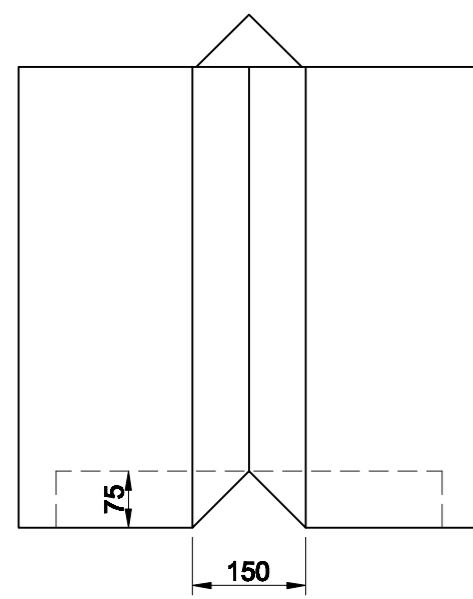


Weight : 1333Kg



DRN	CTC	DATE	08-06-11	TITLE	1525 x 610 - Type 2 V-Interlock Block	
CHKD		DRG SIZE	A2	ELITE PRECAST CONCRETE LIMITED		
		SCALE	1:10	AND AS NOTED	DRG	081
					REV	0