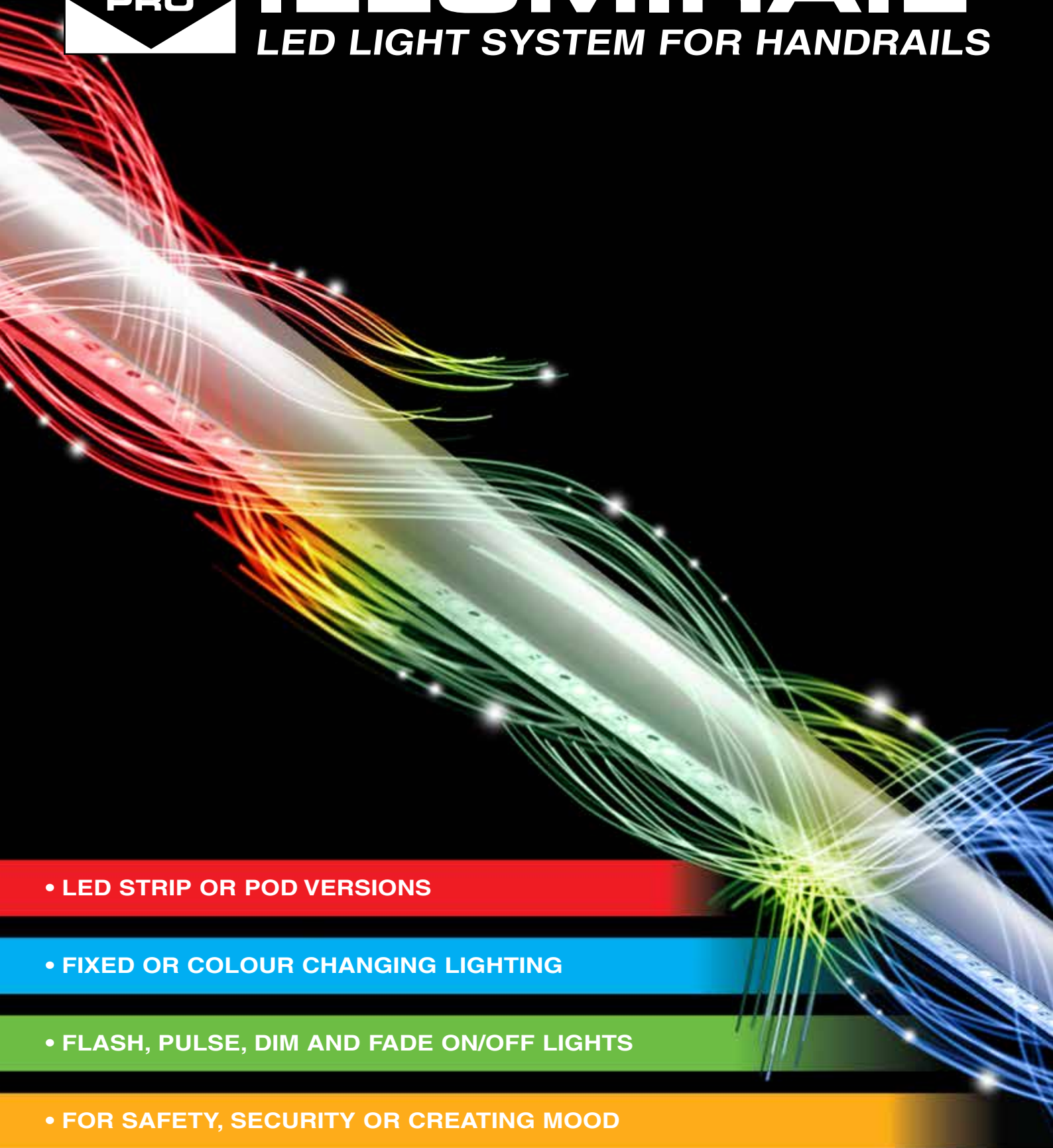




ILLUMIRAIL[®]

LED LIGHT SYSTEM FOR HANDRAILS



• LED STRIP OR POD VERSIONS

• FIXED OR COLOUR CHANGING LIGHTING

• FLASH, PULSE, DIM AND FADE ON/OFF LIGHTS

• FOR SAFETY, SECURITY OR CREATING MOOD

• SUITABLE FOR WALL OR POST MOUNTED HANDRAILS SYSTEMS

LED HANDRAIL



Illumirail is a stylish and practical lighting application for incorporating into handrailing installations. With the choice of RGB, coloured and bright white LEDs, it doesn't just aesthetically provide the finishing touch to any handrail project, it also offers a solution to safety and security issues surrounding dark stairwells and walkways. Illumirail can be fitted in wall mounted or post mounted handrailing.

THERE ARE 2 CHOICES FOR ILLUMINATING YOUR HANDRAIL:

- Bar System - fitted into our standard split tube handrail
- Pod System - can be fitted in any round \varnothing 42.4 - 48.3mm handrail system. Also retrofittable



Illumirail is ideal for specification in a wide range of applications including residential, restaurants, offices, night clubs, leisure and retail. In fact anywhere that requires illumination, inside or out, with Stainless Steel Type 316 as standard. Both systems are waterproof and fully rated to IP67. They can be used with PIR movement sensors, daylight sensors (dusk to dawn) and the solid colours can also be linked into emergency lighting back-up systems.

With thousands of colours to choose from, it's easy to create the right mood or ambience in any environment.





The ColourTouch 4.3" controller is at the heart of the RGB bar system enabling it to change colour, flash, pulse, dim and fade on and off. The ColourTouch controller can be sited in any location up to 50m from the installation and requires a 24V DC supply. Where this is outdoor, the unit must be contained within a waterproof enclosure.

Both our Bar and POD systems can be used with a variety of infill options such as glass, wire rope or our 7 bar systems. For more information please request our Pro-Railing catalogue or visit www.fhbrundle.co.uk.

Illumirail uses 24V DC for LED bar and 12V DC for POD, LED bar requires 100W and POD required 70W transformers connected to 230V AC 50Hz mains supply.

ILLUMIRAIL OPERATION CAN BE:

- On/Off via a mains supply switch. All variants should have isolation by this method
- All systems should be protected by appropriate residual-current circuit breaker with overcurrent protection (RCBO)
- With a PIR and daylight sensor housing with engineer calibration trim pot. The trim pot will be factory set and should not require on site alteration except in areas which are particularly shaded or bright

COLOUR CHANGING SYSTEM (WITH COLOURTOUCH CONTROLLER):

- With a wall mounted ColourTouch controller (RGB rigid bar only) - one per system
- With an in-line pulse width modulation colour changing driver - one per transformer output for RGB system
- With an in-line relay (on/off) module - one per transformer output for PIR system



ILLUMIRAIL[®] BAR SYSTEM

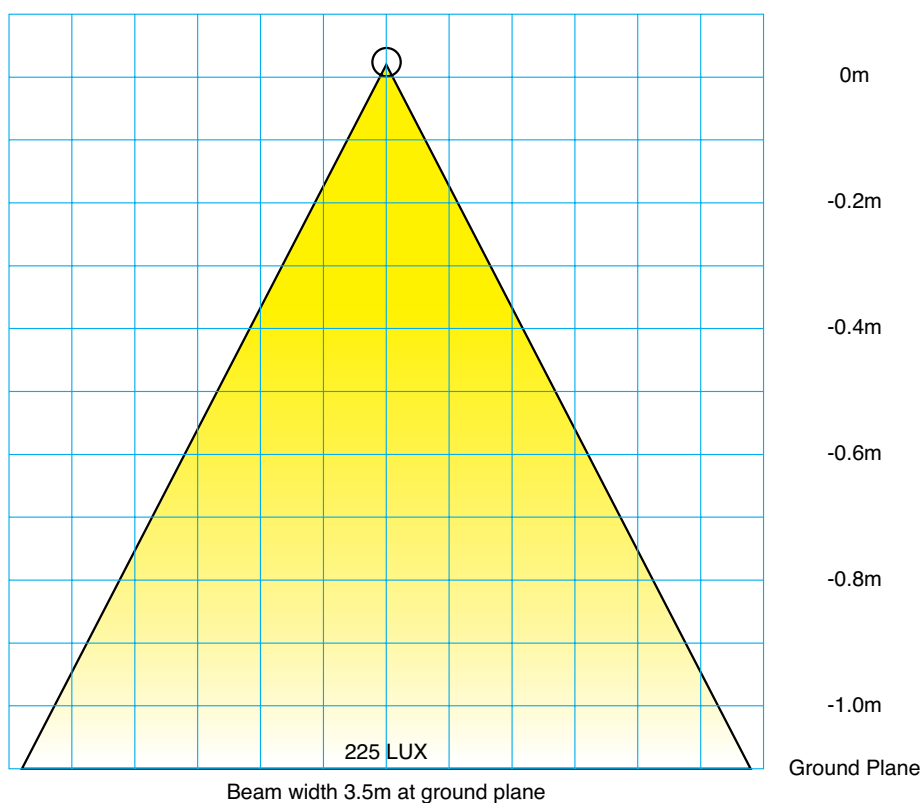


LED BAR & LIGHTING INFORMATION



LIGHT DISTRIBUTION AT 1100mm HANDRAIL HEIGHT

850mm WARM WHITE LED RIGID BAR



Our Illumirail LED bar fits discreetly and securely into our \varnothing 42.4mm split tube. It is supplied with an internal trunking that offers a tidy cable management system. Plus a full range of fittings to provide a handrailing solution that can work on post or wall mounted handrails.

Illumirail LED bar is available in both 425 and 850mm lengths. The standard length is 850mm and is designed to fit between our 1200mm Pro-Railing post centres.

STANDARD COLOURS:

- Warm white (3000K), 1035 lumens per metre and 135 lumens per watt
- RGB (colour changing)

The single colour LED bars in red, green, blue and yellow are available to order. Please enquire.



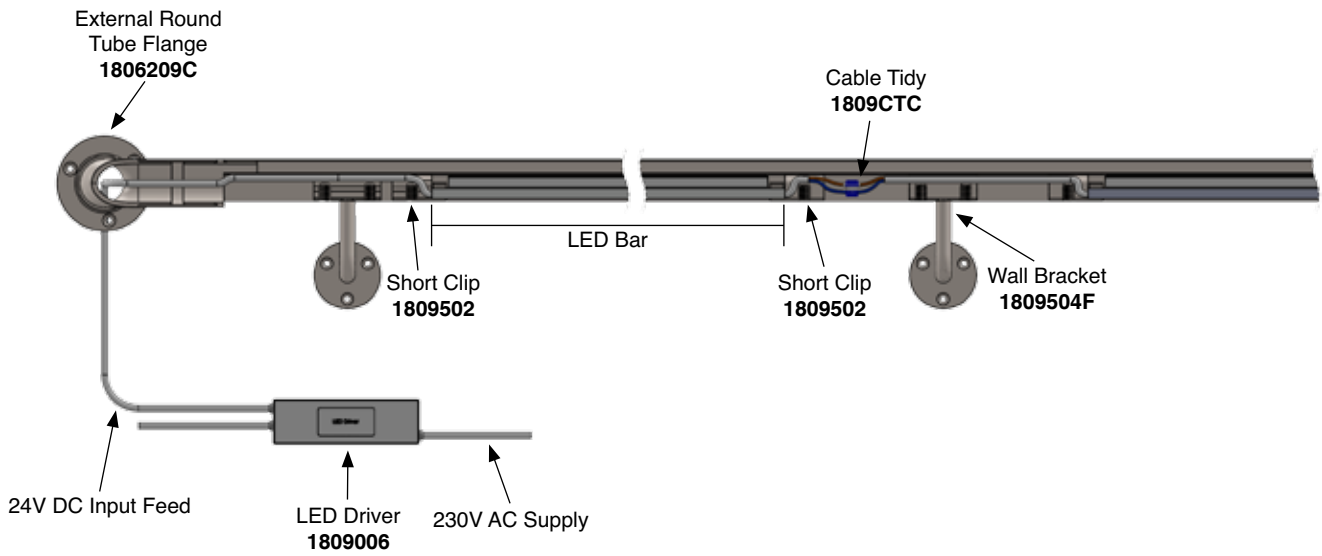
LED bar is a sealed one piece unit rated to IP67, with 54 LEDs totalling 12.24W. With a brightness of 3000K. They are supplied with a 200mm cable with waterproof connectors.



ILLUMIRAIL[®] BAR SYSTEM

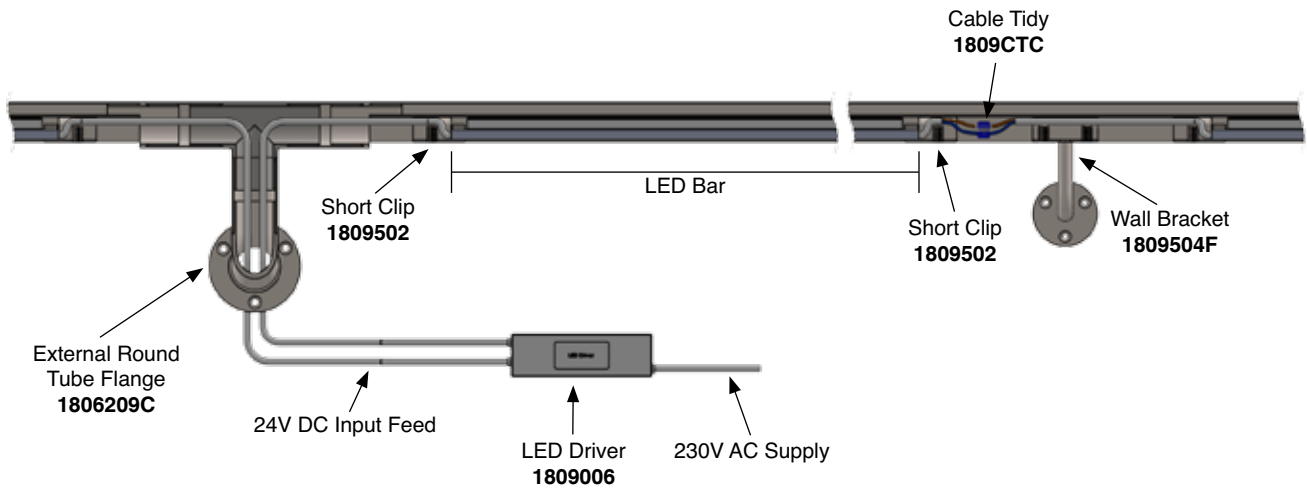
WALL MOUNT WIRING

POWERING LEDS FROM END WALL CONNECTION



POWERING LEDS FROM MID RAIL POSITION

Recommended installation method



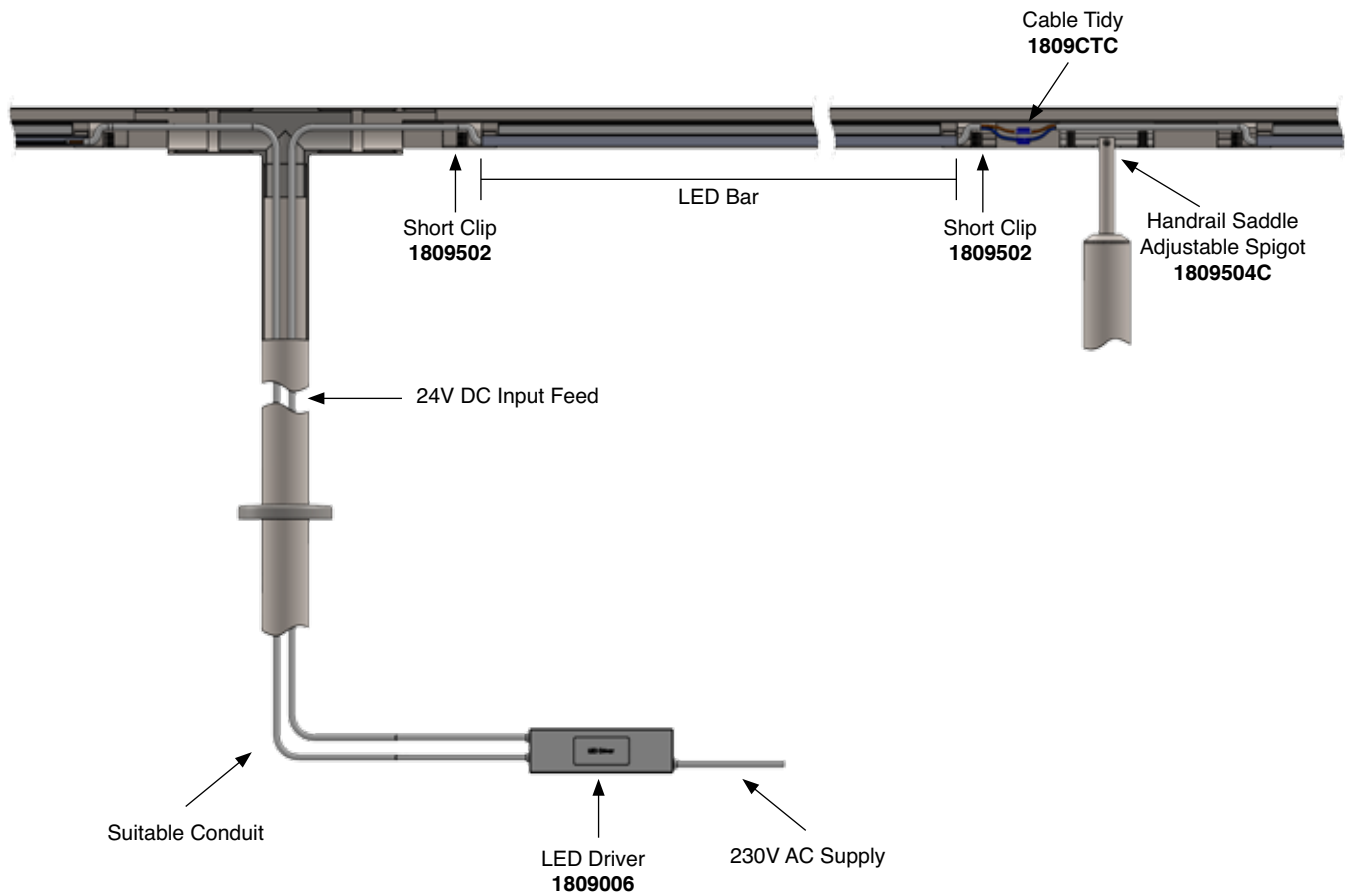
ILLUMIRAIL® BAR SYSTEM



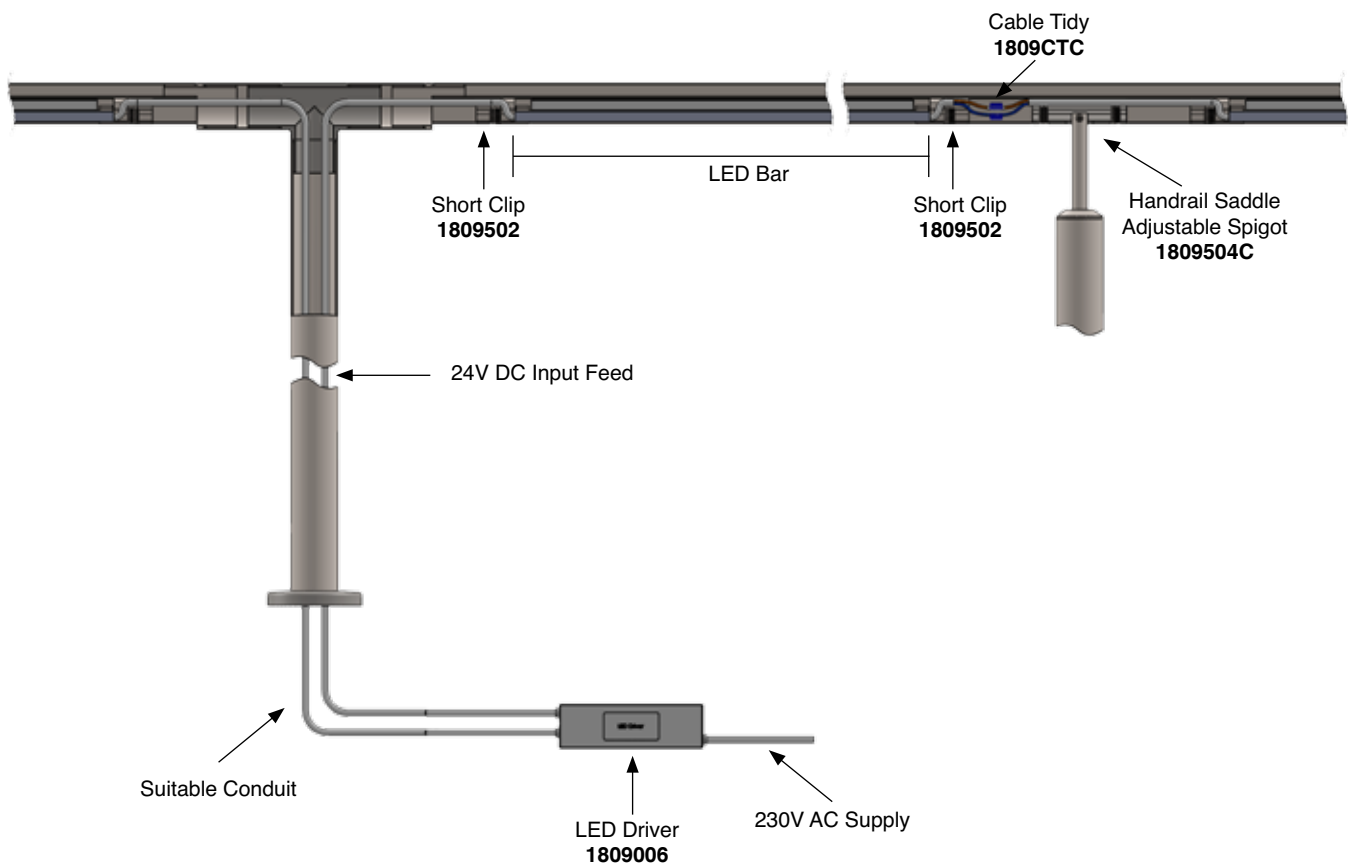
POST MOUNT WIRING

EXTENDED POST MOUNTED INTO POCKET

Core drilled post fitted into a hole in the ground



EXTENDED POST MOUNTED ONTO CONCRETE





ILLUMIRAIL® BAR SYSTEM

WALL MOUNTING GUIDE

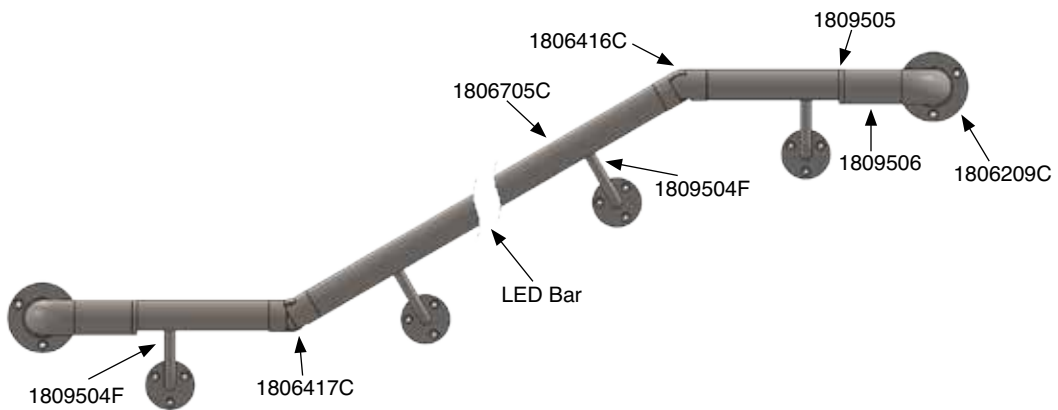
HANDRAIL WITH RETURN TO WALL ENDS FOR CABLE

Plan view



HANDRAIL WITH RETURN TO WALL ENDS FOR CABLE

Front view



HANDRAIL WITH END CAPS OR SCROLL ENDS

Cable runs through fixed wall bracket.

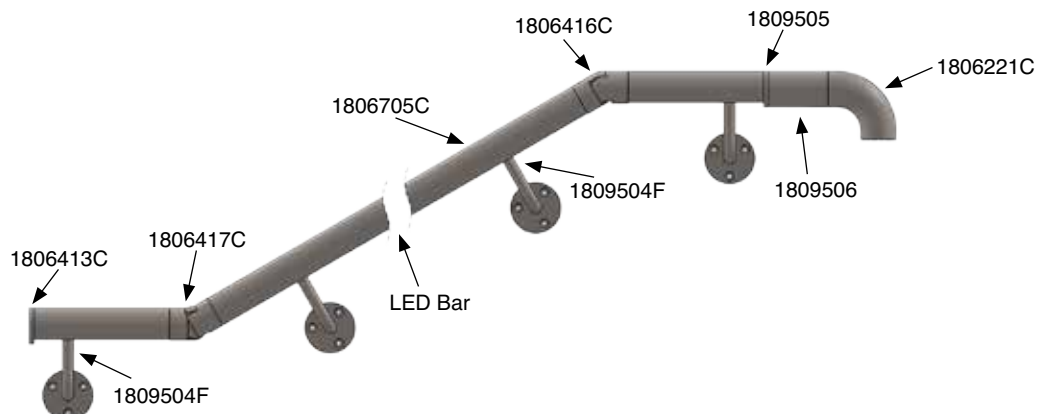
Plan view



HANDRAIL WITH END CAPS OR SCROLL ENDS

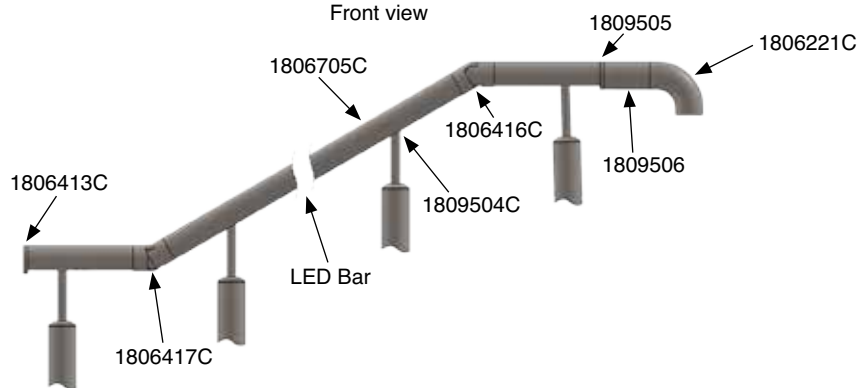
Cable runs through fixed wall bracket.

Front view

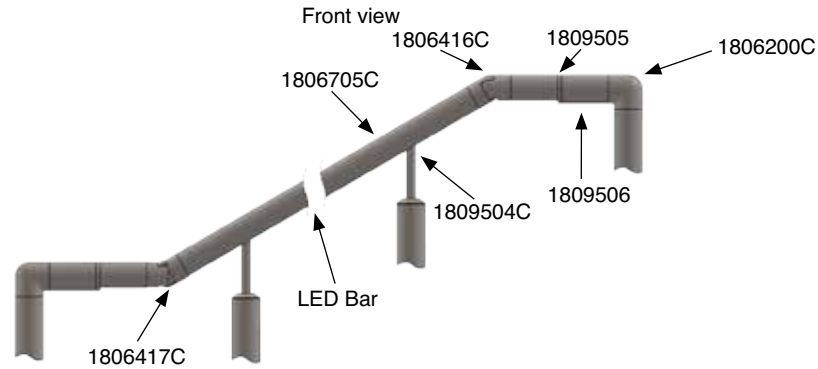


POST MOUNTING GUIDE

HANDRAIL WITH END CAPS OR SCROLL ENDS

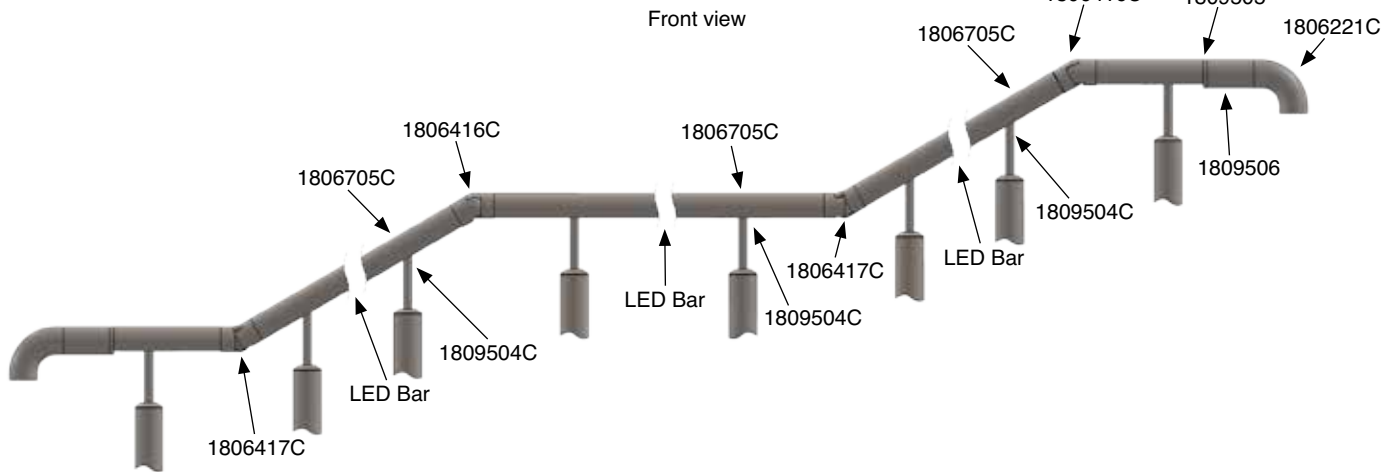


HANDRAIL WITH RETURN TO FLOOR ENDS



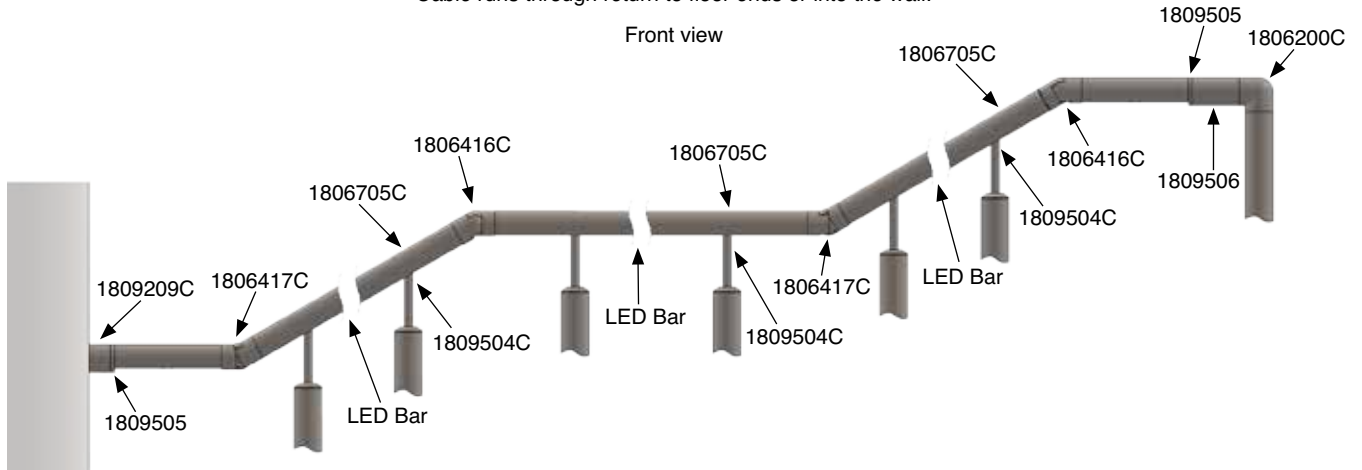
HANDRAIL WITH LANDING AND SCROLL ENDS

Cable runs through fixed bracket on landing.



HANDRAIL WITH LANDING AND RETURN TO FLOOR ENDS OR WALL

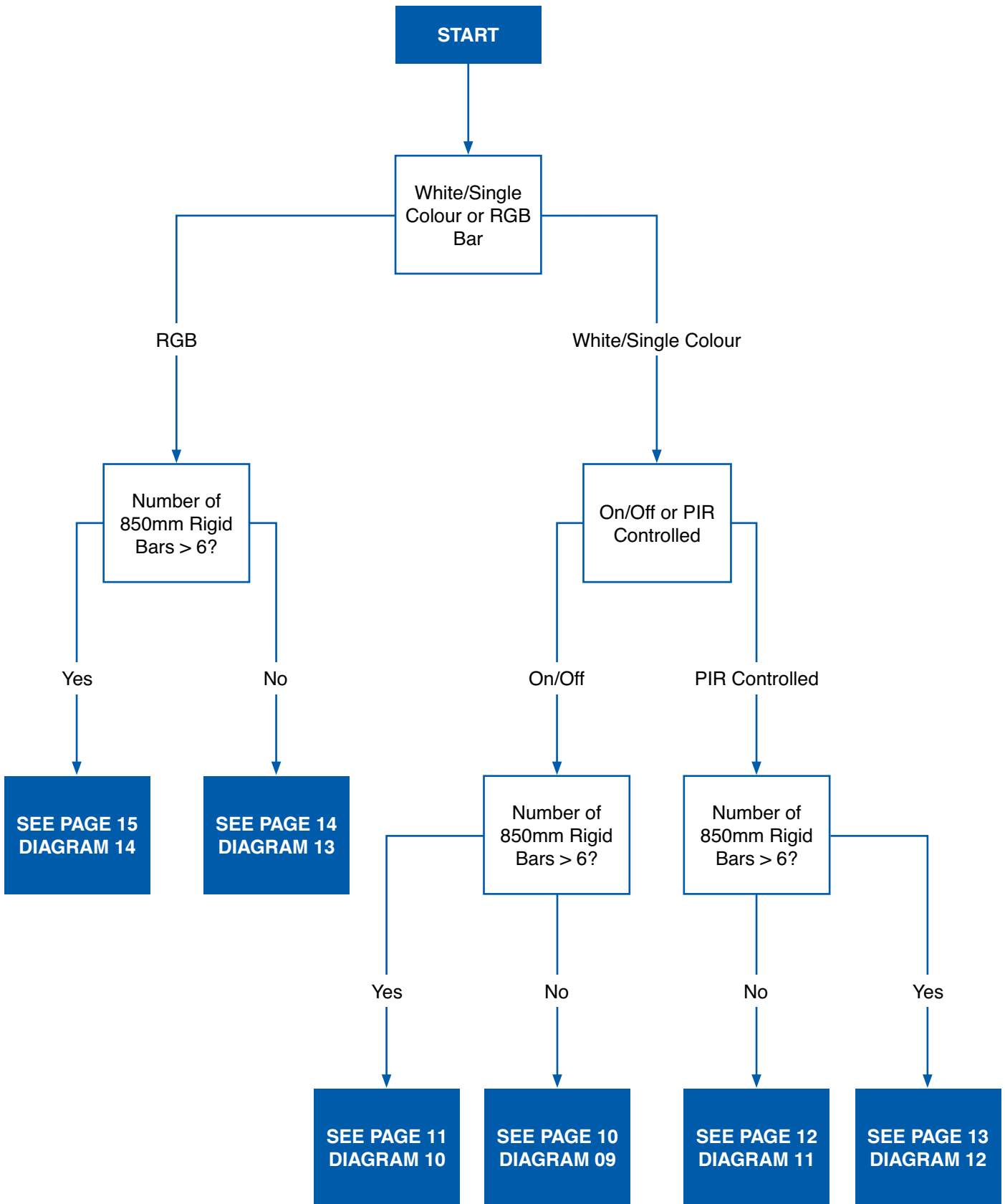
Cable runs through return to floor ends or into the wall.





ILLUMIRAIL[®] BAR SYSTEM

PRODUCT SELECTION FLOWCHART

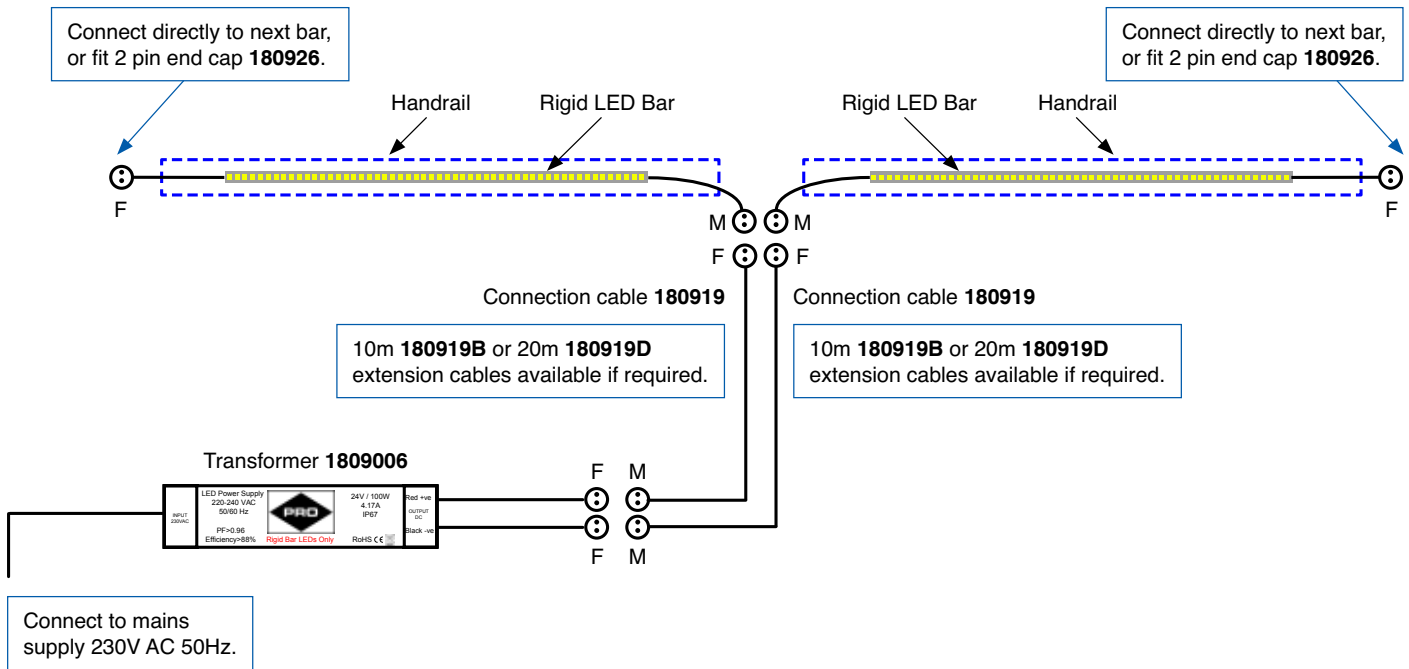


ILLUMIRAIL[®] BAR SYSTEM



DIAGRAM 09

Up to 6 pieces of 850mm, or 12 pieces of 425mm, long white or single colour rigid LED bar. On / Off.

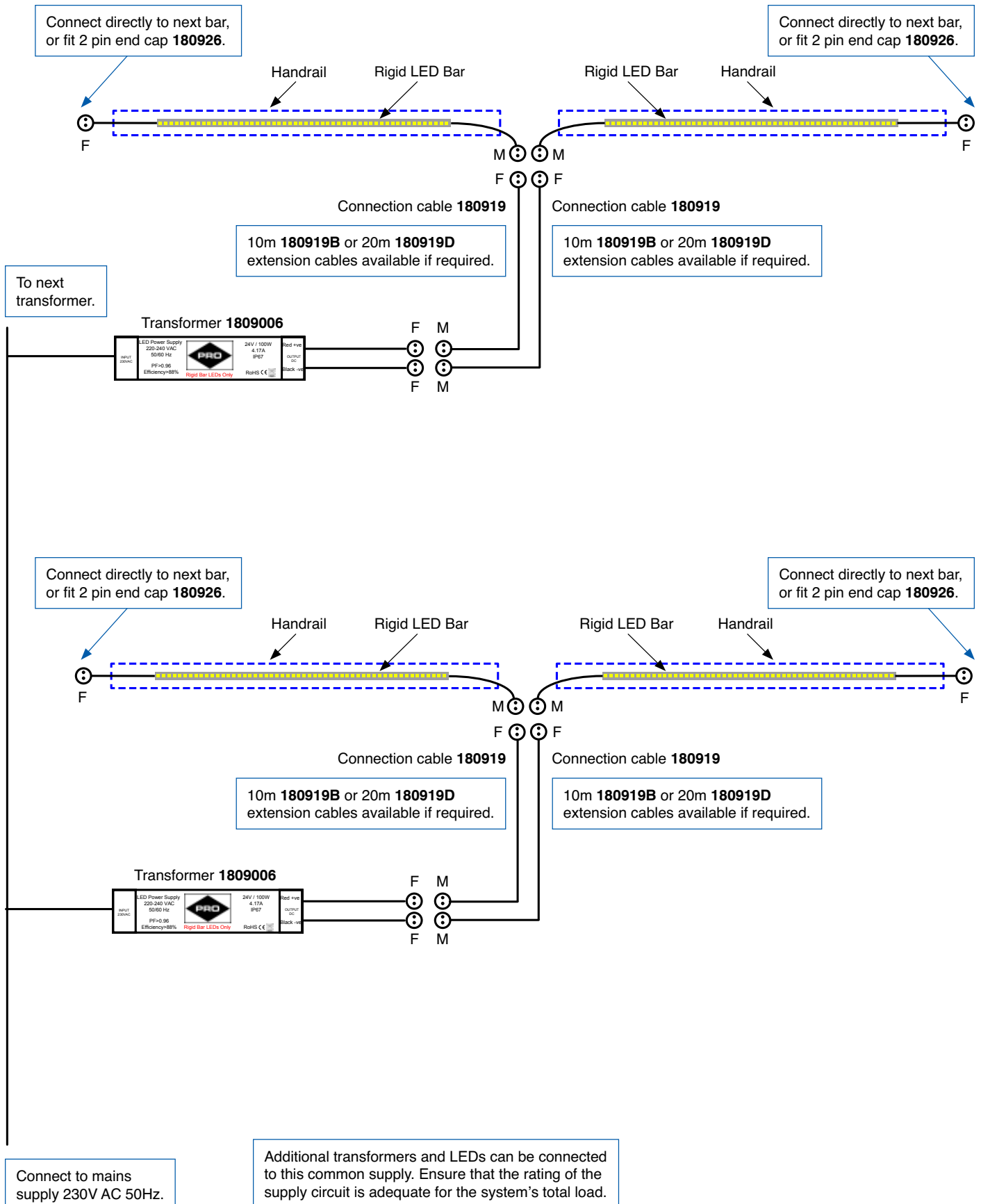




ILLUMIRAIL® BAR SYSTEM

DIAGRAM 10

More than 6 pieces of 850mm, or 12 pieces of 425mm, long white or single colour rigid LED bar. On / Off.

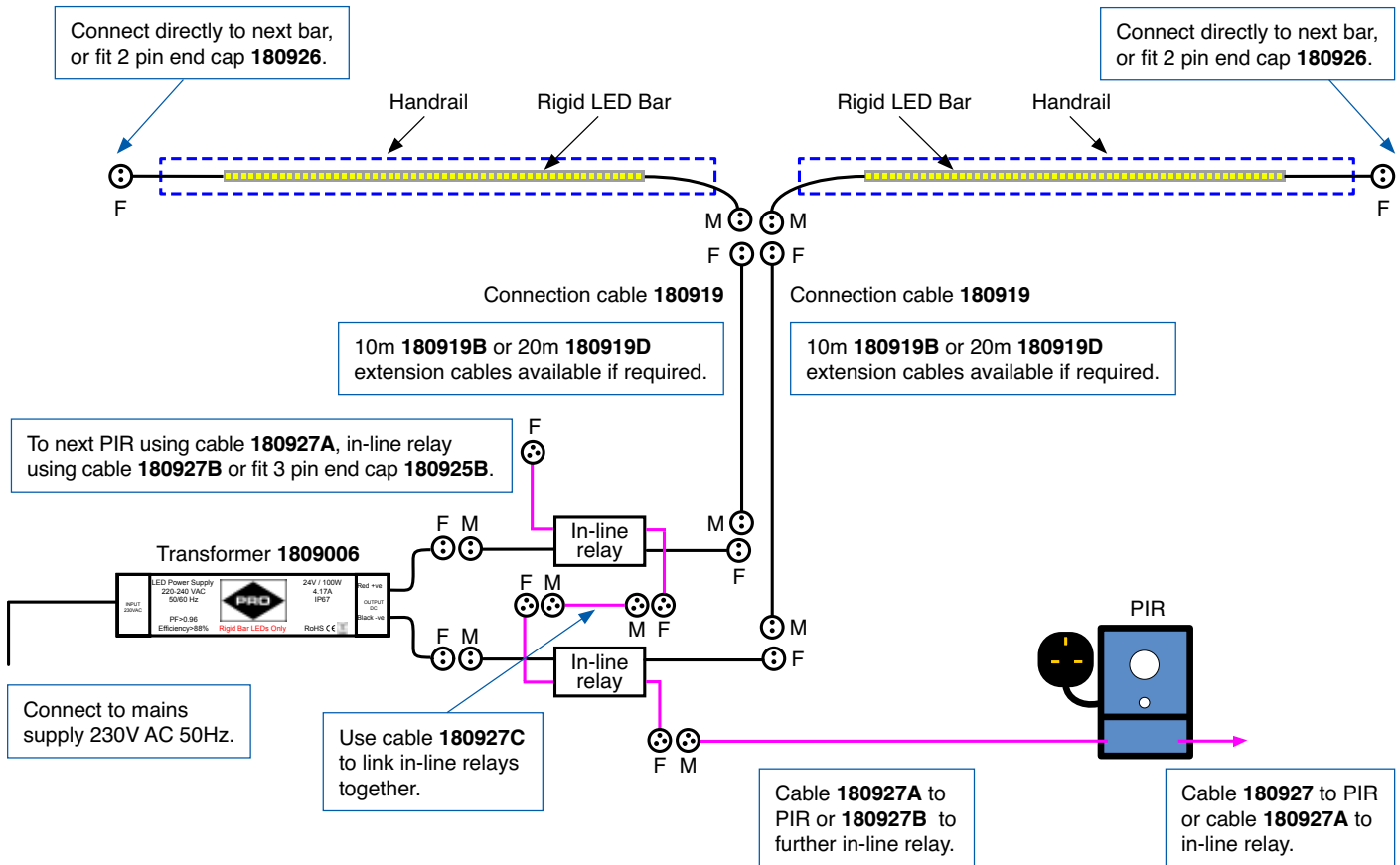


ILLUMIRAIL[®] BAR SYSTEM

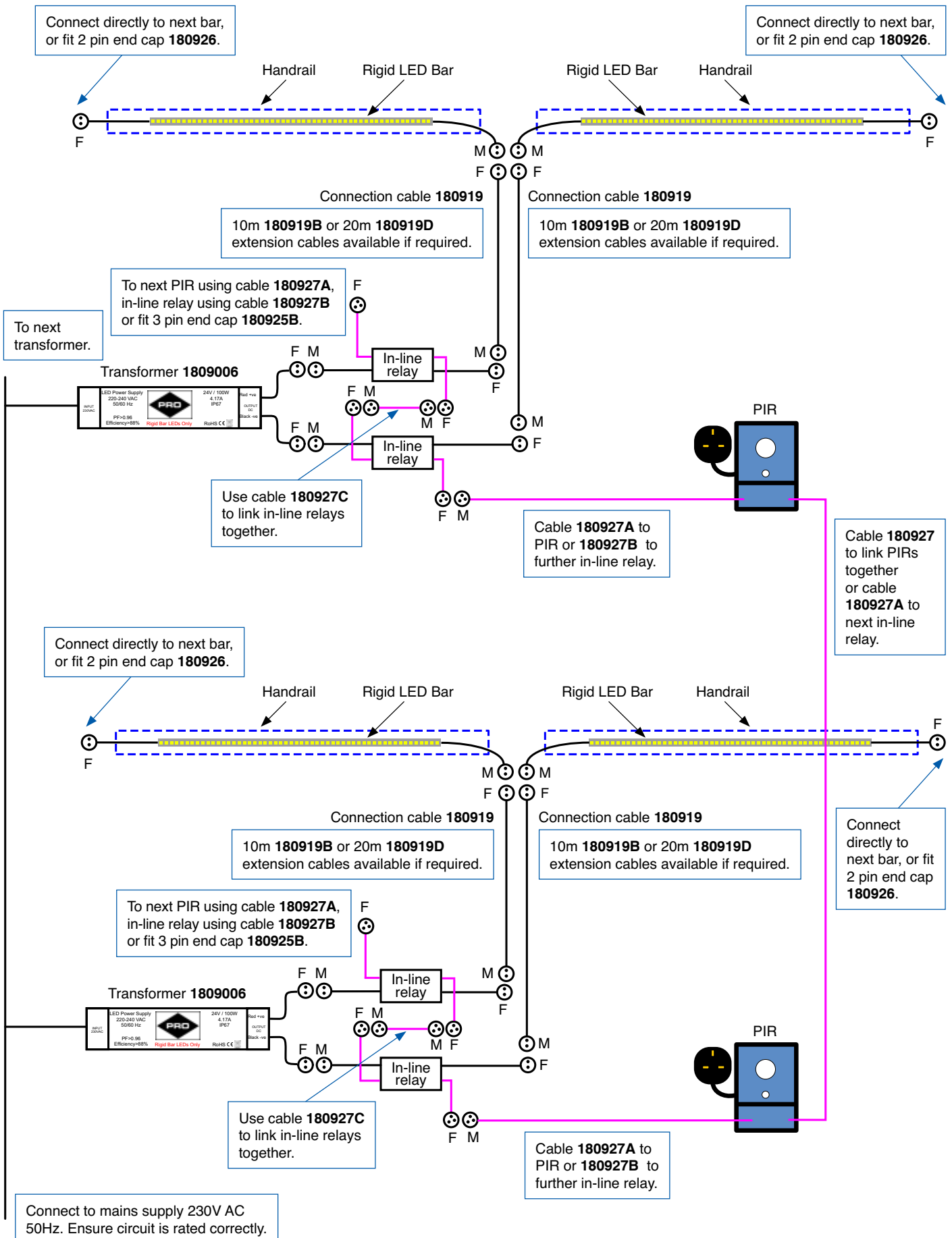


DIAGRAM 11

Up to 6 pieces of 850mm, or 12 pieces of 425mm, long white or single colour rigid LED bar. PIR controlled.



More than 6 pieces of 850mm, or 12 pieces of 425mm, long white, or single colour rigid LED bar. Single or multiple PIR controlled.

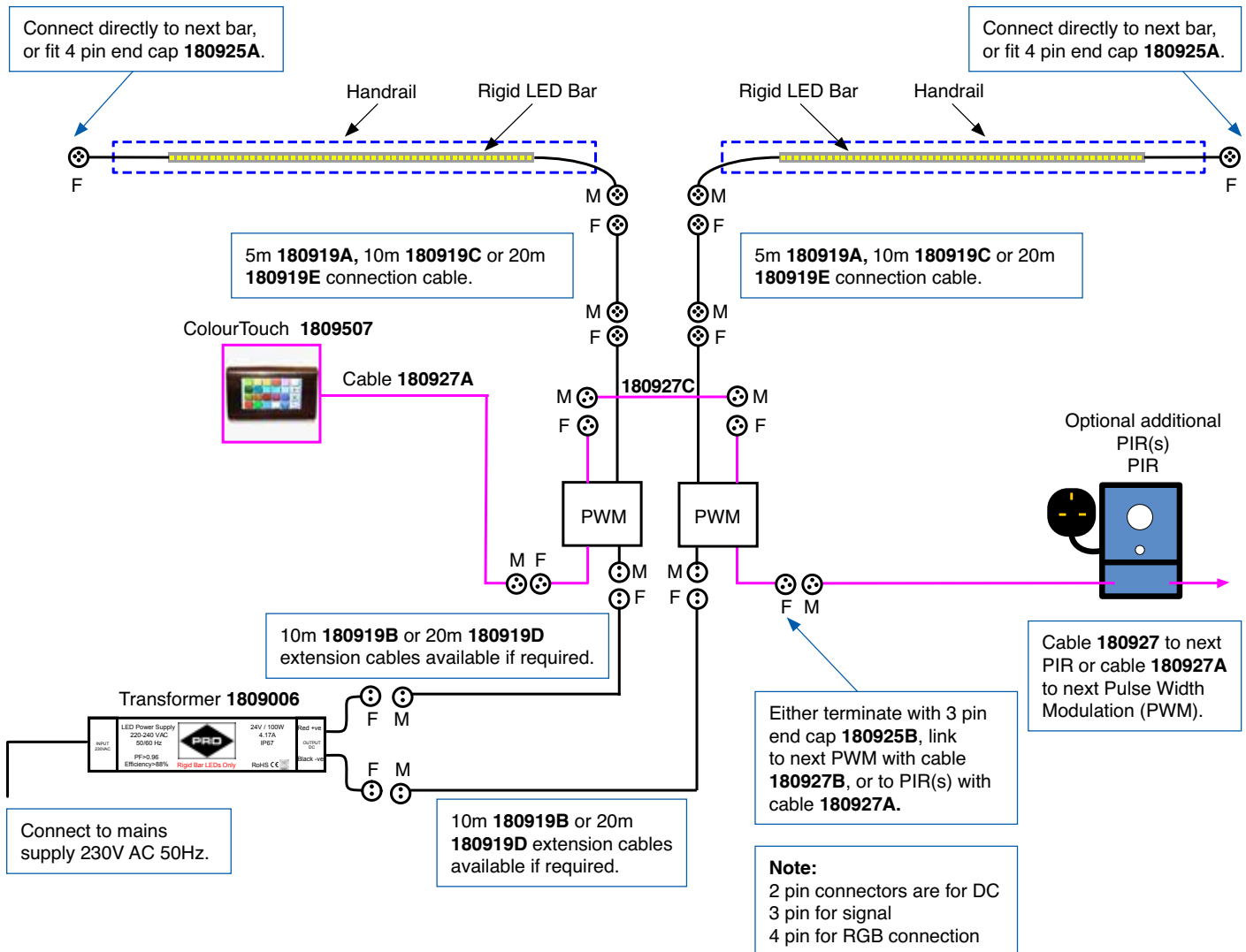


ILLUMIRAIL[®] BAR SYSTEM

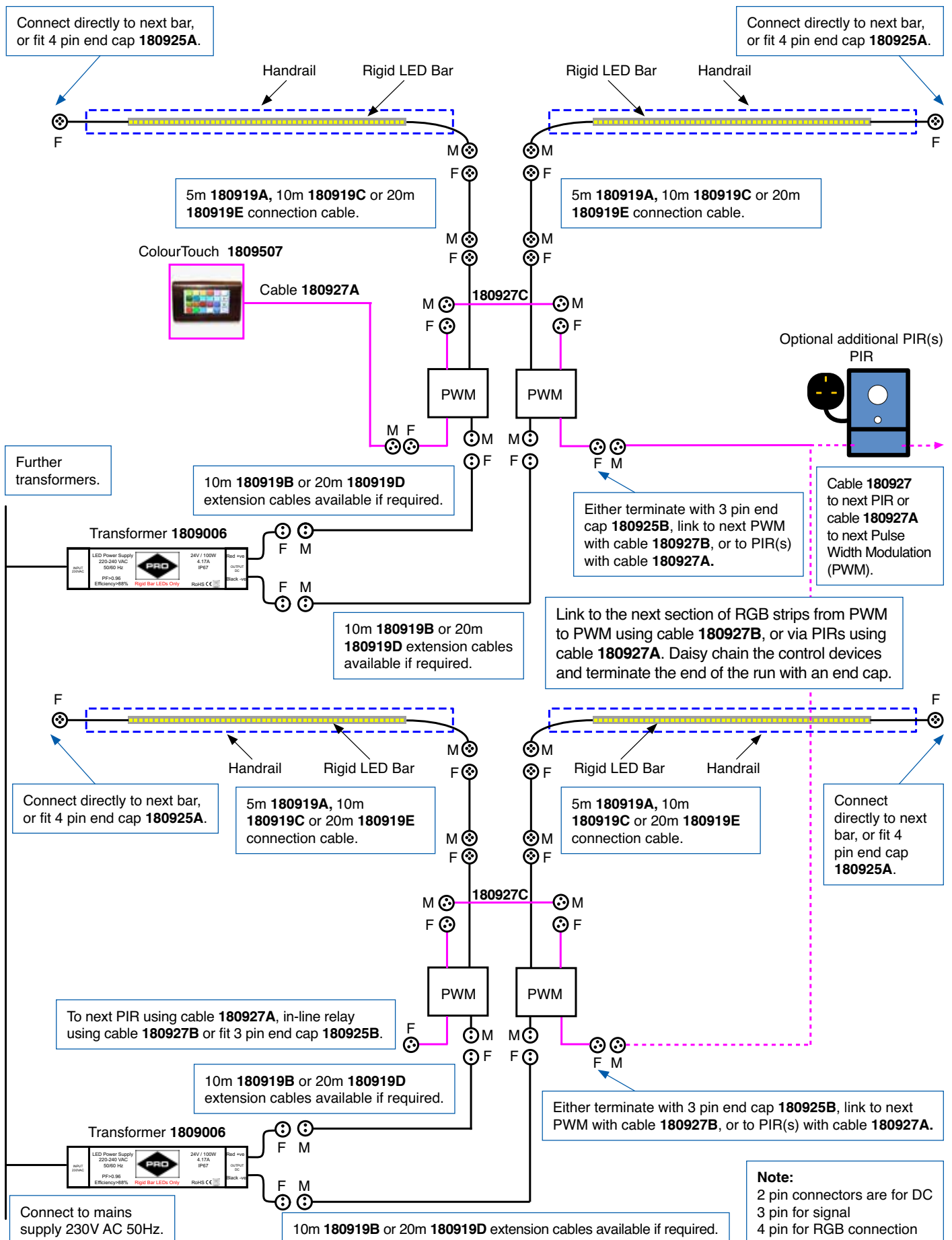


DIAGRAM 13

Up to 6 pieces of 850mm, or 12 pieces of 425mm, long RGB LED bar. ColourTouch with optional PIR control.



More than 6 pieces of 850mm, or 12 pieces of 425mm, long RGB LED bar. ColourTouch with optional PIR control.



ILLUMIRAIL® BAR SYSTEM



WALL MOUNTING FITTINGS

SPLIT TUBE
1.5mm wall thickness



Finish	Ø mm	Length m	Code
316	42.4	3	18067053C
316	42.4	6	1806705C

WALL BRACKET
For split tube clamping



Finish	Clip Length mm	Code
316	60	1809504F

With cable hole

CABLE TIDY
Glue fit



Finish	Ø mm	Length mm	Depth mm	Code
316	42.4	300	20	1809CTC

Thickness 1.2mm

**25° TO 55° DOWNWARDS
ADJUSTABLE CONNECTOR**



Finish	Ø mm	Code
316	42.4	1806416C

**25° TO 55° UPWARDS
ADJUSTABLE CONNECTOR**



Finish	Ø mm	Code
316	42.4	1806417C

IN-LINE CONNECTOR



Finish	Ø mm	Code
316	42.4	1806412C

SEE PRO-RAILING CATALOGUE FOR OUR FULL RANGE OF SPLIT TUBE FITTINGS.

**SPLIT TUBE TO PLAIN TUBE
CONNECTOR**



Finish	Ø mm	Code
316	42.4	1809505

TUBE SECTION



Finish	Ø mm	Length mm	Code
316	42.4	55	1809508
316	42.4	70	1809506

**90° ELBOW
RADIUSED CORNER**



Finish	Ø mm	Code
316	42.4	1806200C

**OTHER ELBOW OPTIONS
AVAILABLE, SEE
PRO-RAILING CATALOGUE.**

SCROLL END



Finish	Ø mm	Code
316	42.4	1806221C

EXTERNAL ROUND TUBE FLANGE



Finish	Ø mm	Code
316	42.4	1806209C

END CAP



Finish	Ø mm	Code
316	42.4	1806413C

SPLIT TUBE

1.5mm wall thickness



Finish	Ø mm	Length m	Code
316	42.4	3	18067053C
316	42.4	6	1806705C

HANDRAIL SADDLE, ADJUSTABLE SPIGOT

For split tube clamping



Finish	Ø mm	Clip Length mm	Code
316	42.4	85	1809504C

With cable hole

HANDY TIP



For ease of application use pre-assembled posts, just replace the saddle for one with a cable hole.



CABLE TIDY

Glue fit



Finish	Ø mm	Length mm	Depth mm	Code
316	42.4	300	20	1809CTC

Thickness 1.2mm

IN-LINE CONNECTOR



Finish	Ø mm	Code
316	42.4	1806412C

FOR RETURN TO FLOOR ENDS USE HOLLOW TUBE, PLEASE VISIT www.fhbrundle.co.uk

25° TO 55° DOWNWARDS ADJUSTABLE CONNECTOR



Finish	Ø mm	Code
316	42.4	1806416C

25° TO 55° UPWARDS ADJUSTABLE CONNECTOR



Finish	Ø mm	Code
316	42.4	1806417C

SPLIT TUBE TO PLAIN TUBE CONNECTOR



Finish	Ø mm	Code
316	42.4	1809505

TUBE SECTION



Finish	Ø mm	Length mm	Code
316	42.4	70	1809506

90° ELBOW RADIUS CORNER



Finish	Ø mm	Code
316	42.4	1806200C

SCROLL END



Finish	Ø mm	Code
316	42.4	1806221C

END CAP



Finish	Ø mm	Code
316	42.4	1806413C

WALL CONNECTOR



Finish	Ø mm	Code
316	42.4	1809209C

With cable hole

OTHER ELBOW OPTIONS AVAILABLE, SEE PRO-RAILING CATALOGUE.

SEE PRO-RAILING CATALOGUE FOR OUR FULL RANGE OF SPLIT TUBE FITTINGS.

ILLUMIRAIL® BAR SYSTEM



FIXED COLOURS & RGB COLOUR CHANGING



Colour	425mm Length Code	850mm Length Code
White (3000K)	18095015	1809501
Blue	18095015B	1809501B
Green	18095015G	1809501G
Red	18095015R	1809501R
Yellow	18095015Y	1809501Y

Colour	425mm Length Code	850mm Length Code
RGB	18095015RGB	1809501RGB

Supplied with 4 gel crimps

Supplied with 2 gel crimps

CABLES

Description	Fixed Colour	RGB	Length	Code
2 pin M-F, over-moulded IP67 cable. 5 amp max. DC connection cable for LED bar	✓		5m	180919
2 pin M-F, over-moulded IP67 cable. 5 amp max. DC extension cable	✓		10m	180919B
2 pin M-F, over-moulded IP67 cable. 5 amp max. DC extension cable	✓		20m	180919D
2 pin small sealing cap M. Makes end of run of LED bar watertight. For DC power cables	✓			180926
4 pin M-F over-moulded IP67 cable. 5 amp max. DC connection cable		✓	5m	180919A
4 pin M-F, over-moulded IP67 cable. 5 amp max. DC connection cable		✓	10m	180919C
4 pin M-F, over-moulded IP67 cable. 5 amp max. DC connection cable		✓	20m	180919E
3 pin sealing cap M. Makes end of run of cables watertight. For signal cables	✓	✓		180925B
4 pin sealing cap M. Makes end of run of cables watertight. For RGB power cables		✓		180925A
STP signal cable, bare ends. Connects between PIR enclosures and ColourTouch controller		✓	Per metre	180927
STP signal cable, bare ends to M. Connects in-line relays and PWM's to PIR or ColourTouch enclosure	✓	✓	10m	180927A
STP signal connection cable M to M. Connects between PWMs and in-line relays	✓	✓	10m	180927B
STP signal connection patch cable M to M. Connects between PWMs and in-line relays	✓	✓	300mm	180927C
STP signal extension cable M to F. Extends cables	✓	✓	10m	180927D

CONTROLS

Description	Fixed Colour	RGB	Code
ColourTouch control enclosure with colour changing system and built in timer		✓	1809507
In-line PWM RGB driver module. Male 2 pole female 4 pole, one per transformer		✓	180929A
Power supply for ColourTouch control		✓	1809507PS
PIR enclosure, one or many per installation	✓	✓	1809PIR
In-line relay module, one per transformer	✓		1809IR

TRANSFORMER



SPECIFICATIONS:

- 100W
- 230V AC to 24V DC
- CE approved
- IP67, supplied with waterproof connector on the DC output
- PFC - 98%
- Efficiency >88%
- Supplied with one end cap

Description	Code
LED Driver - 24V DC/100W - IP67 Rated	1809006

SHORT CLIP
For securing LED bar



Code
1809502

CRIMPING PLIERS
For gel crimps



Code
180959902

HIGH STRENGTH RETAINER
For use with tube fittings



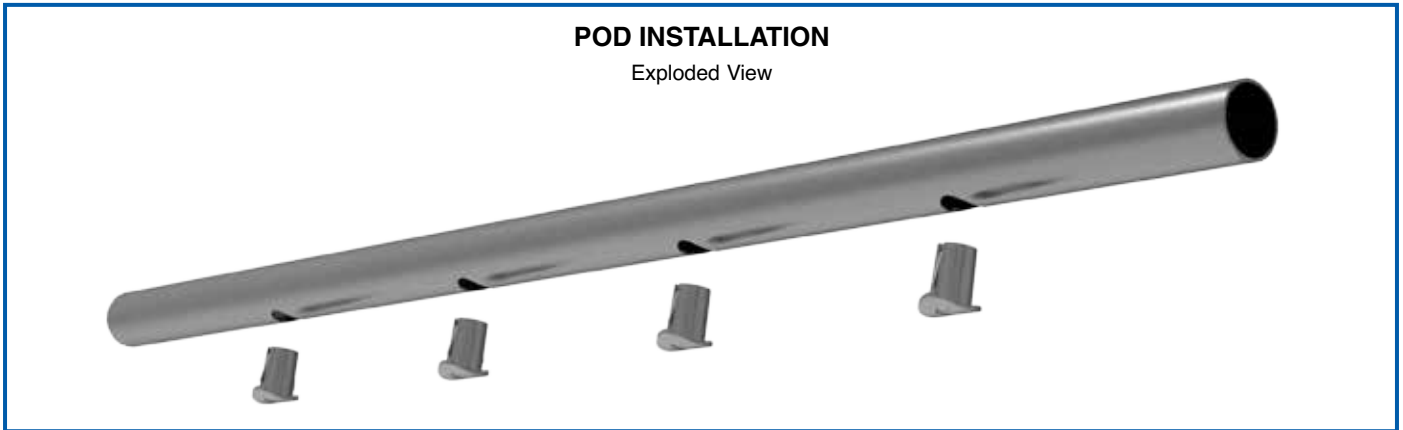
ml	Code
50	1899007638

HIGH STRENGTH RETAINER
For use on assembled posts



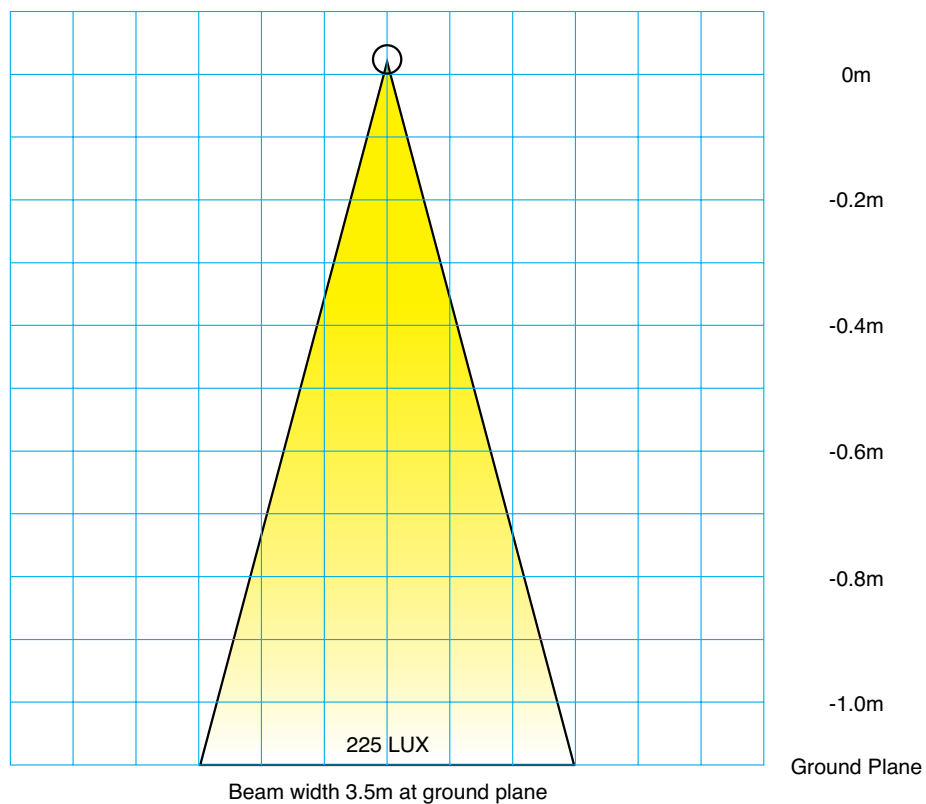
ml	Code
10	189900763810

Two clips required per LED



LIGHT DISTRIBUTION AT 1100mm HANDRAIL HEIGHT

4 x WARM WHITE SINGLE LENS LEDS MOUNTED AT 300mm CENTRES



The Illumirail POD system is designed using top quality CREE LEDs. The single lens PODs are rated at 1.2W. They are directly connected to the bus power cable **Code: 180920** using gel crimps. PODs are fitted with a diode on the negative side of their circuit to prevent the POD LEDs from blowing if they are wired incorrectly.

POD SYSTEM AVAILABLE TO SUIT:

- 2.0 - 3.2mm wall thickness for Ø 42.4 and 48.3mm tube

There is a spring assembly incorporated into the lens body so it securely snaps into place and the lens can be removed if necessary. There is also the option to drill two holes in the flange of the lens which allows permanent fixing using a 2mm stainless steel rivet into pre-drilled holes in the tube.



We recommend the holes for the PODs are machined out in a workshop or they can be drilled on site using a 24mm step drill.
NB: Note polarity and ensure to connect the wires accordingly.

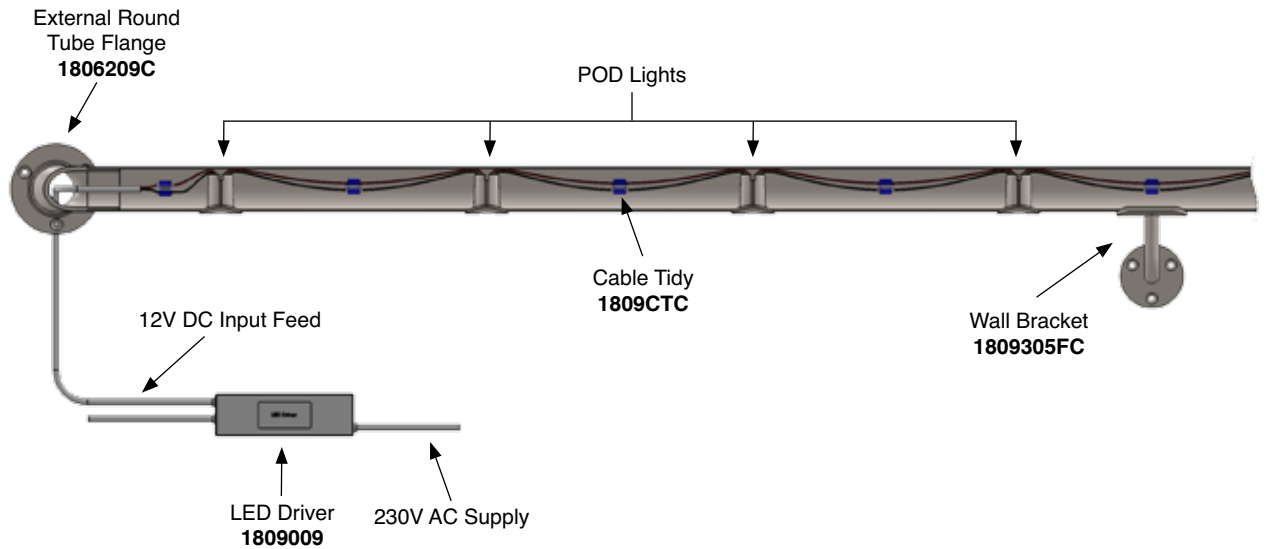
THE POD SYSTEM WORKS WITH ALL OF OUR GALVANISED, MILD STEEL & PRO-RAILING FITTINGS. SEE PAGES 29 - 30 FOR OUR RECOMMENDED TYPE 316 FITTINGS.

ILLUMIRAIL® POD SYSTEM



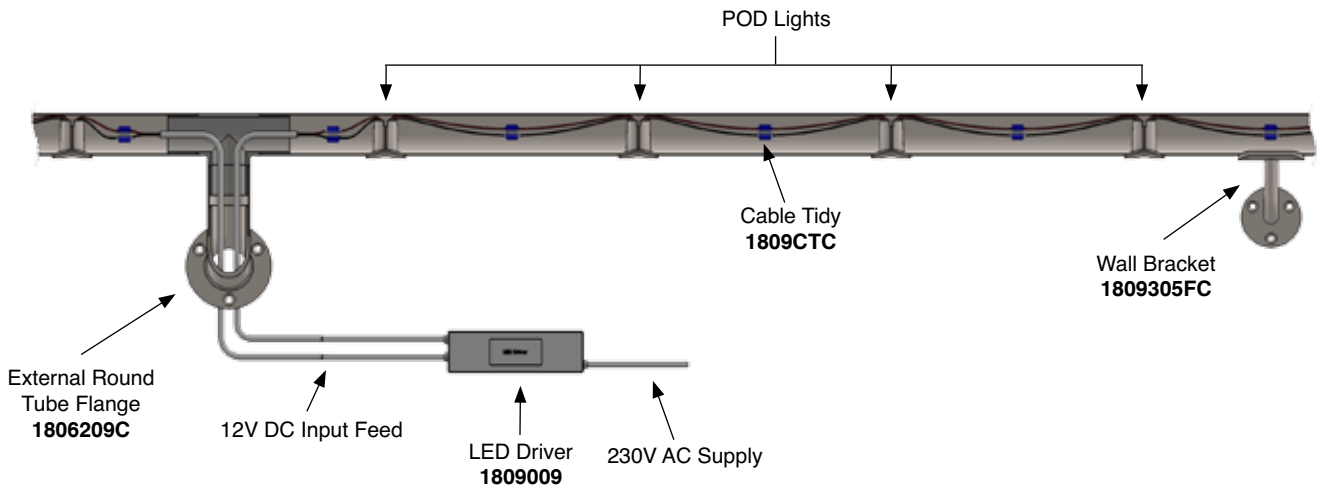
WALL MOUNT WIRING

POWERING PODS FROM END WALL CONNECTION

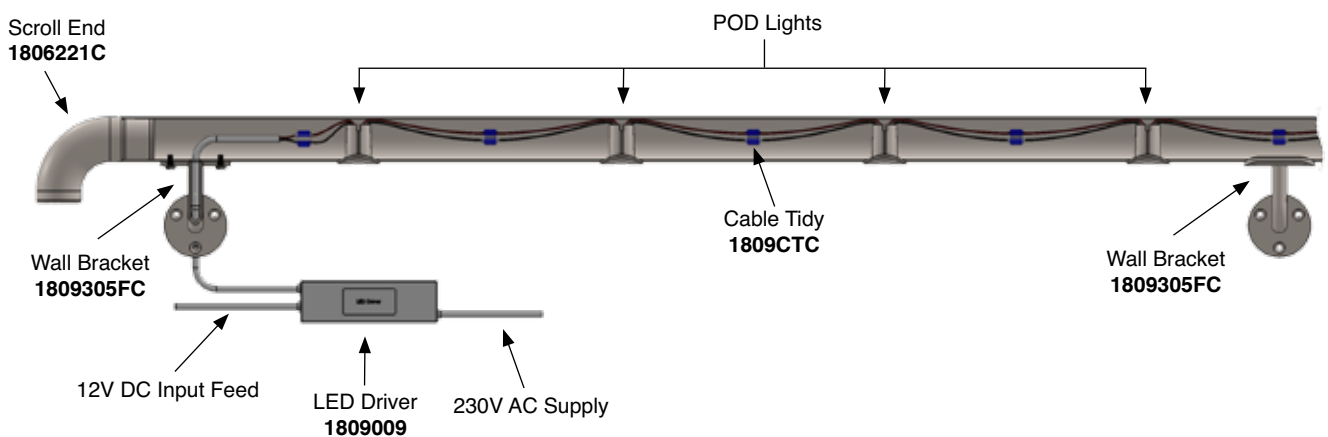


POWERING PODS FROM MID RAIL POSITION

Recommended installation method

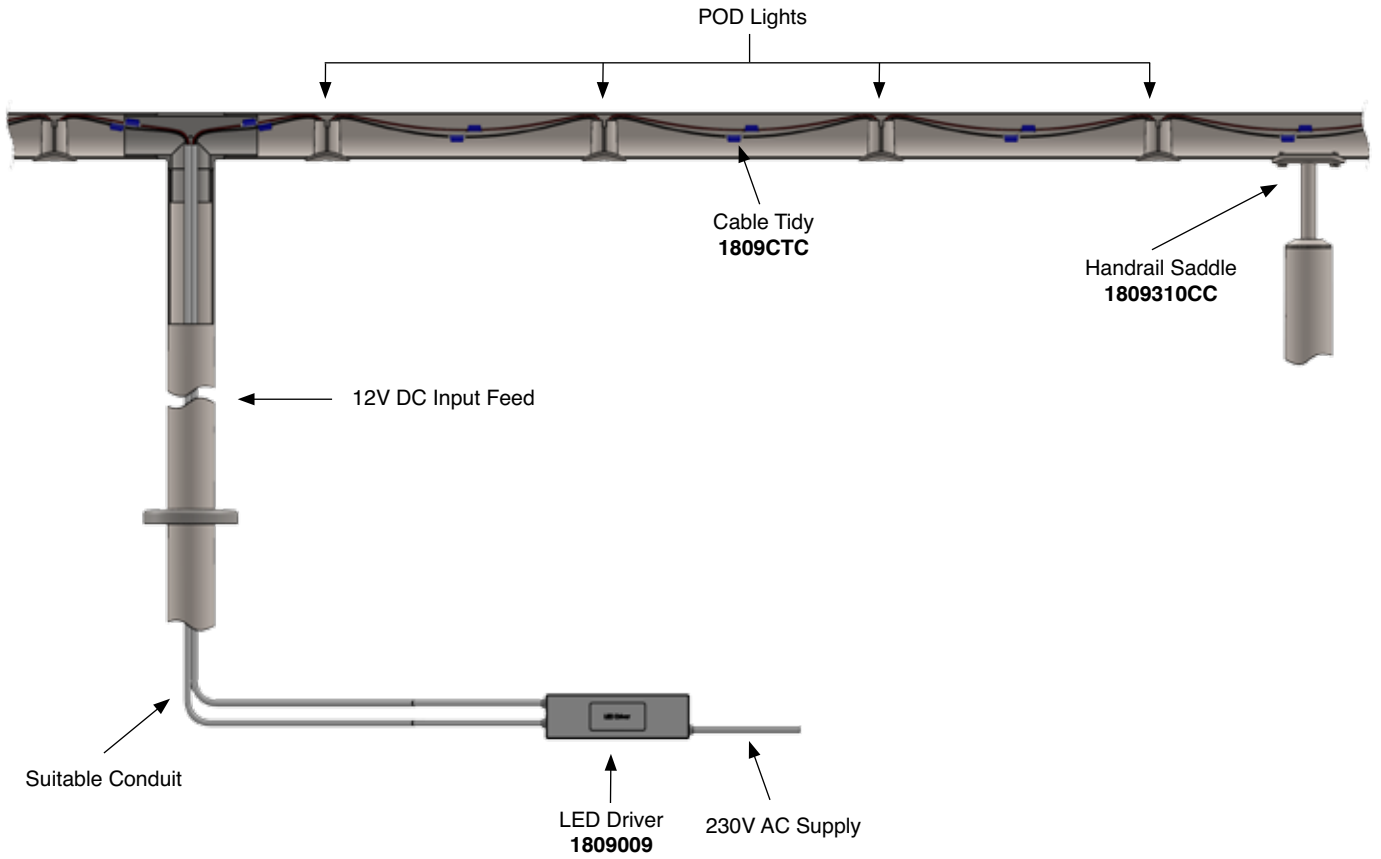


POWERING PODS THROUGH HANDRAIL BRACKET

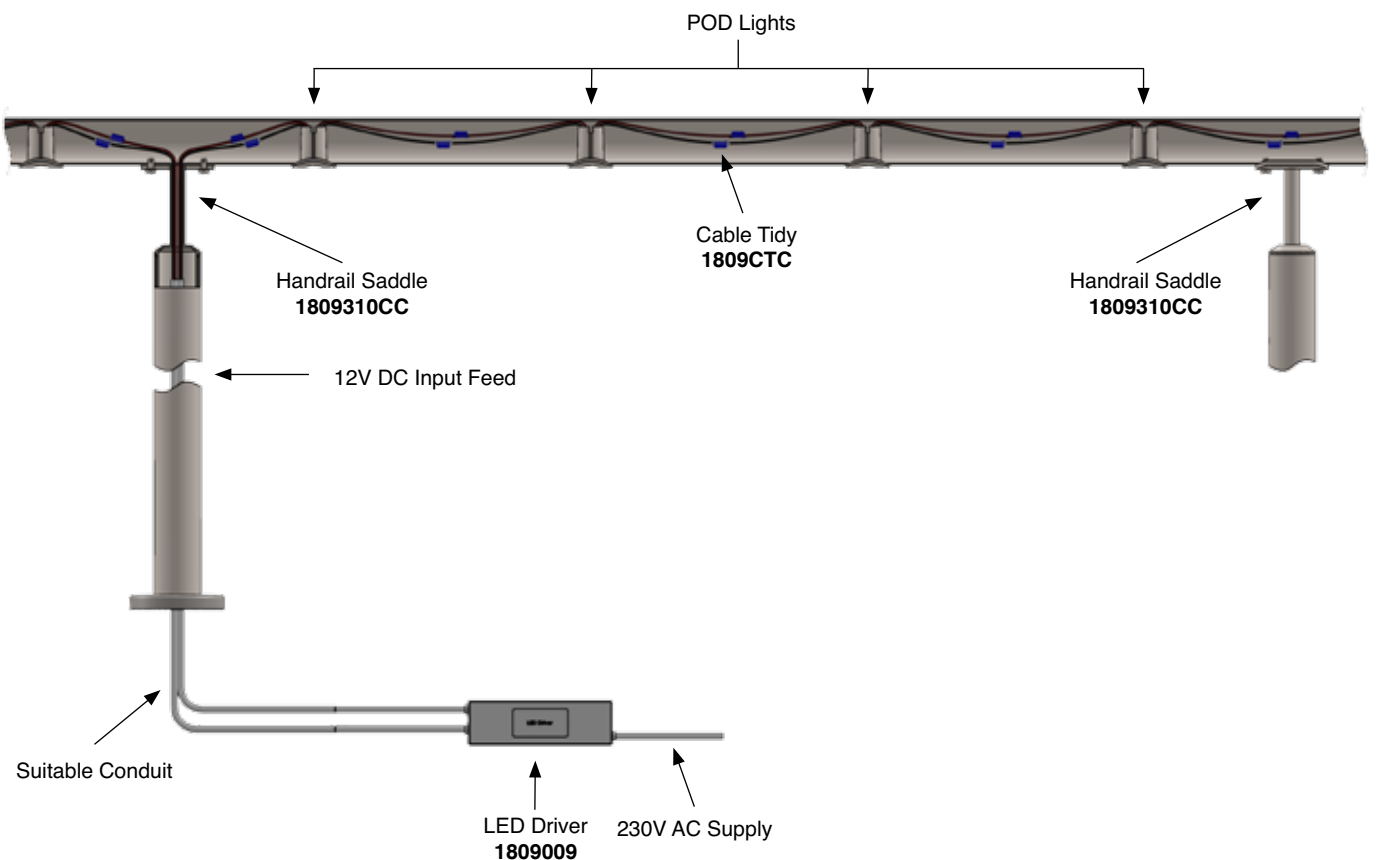


EXTENDED POST MOUNTED INTO POCKET

Core drilled post fitted into a hole in the ground



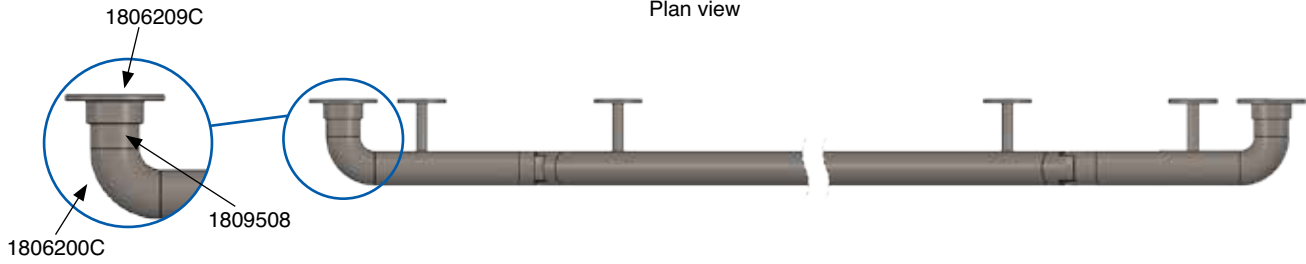
EXTENDED POST MOUNTED INTO POCKET



WALL MOUNTING GUIDE

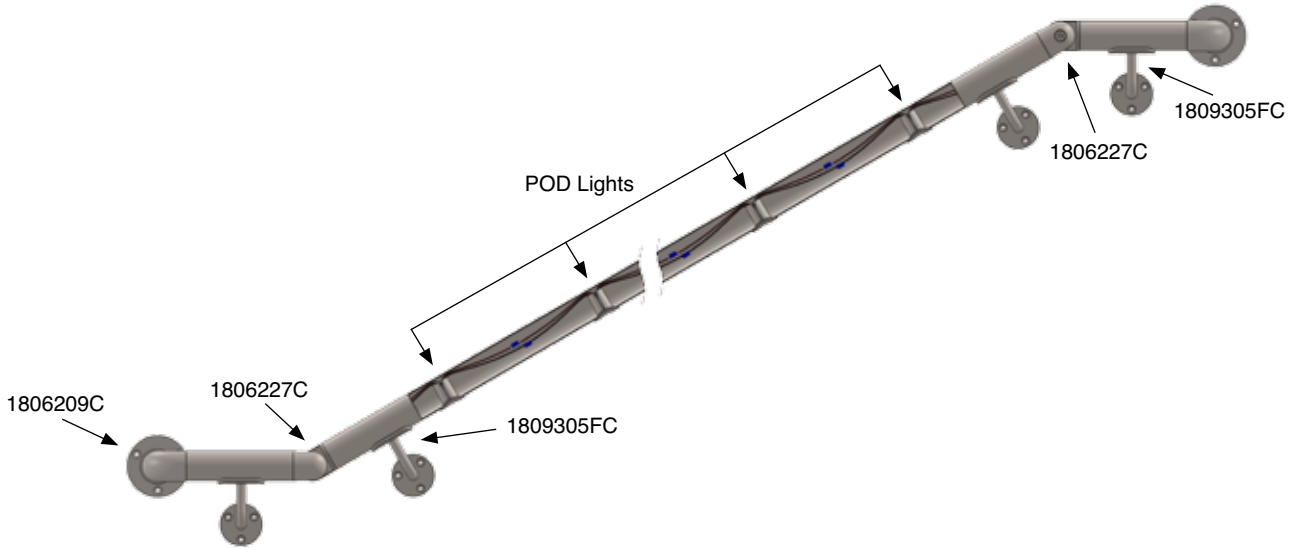
HANDRAIL WITH RETURN TO WALL ENDS FOR CABLE

Plan view



HANDRAIL WITH RETURN TO WALL ENDS FOR CABLE

Front view



HANDRAIL WITH END CAPS OR SCROLL ENDS

Cable runs through fixed wall bracket.

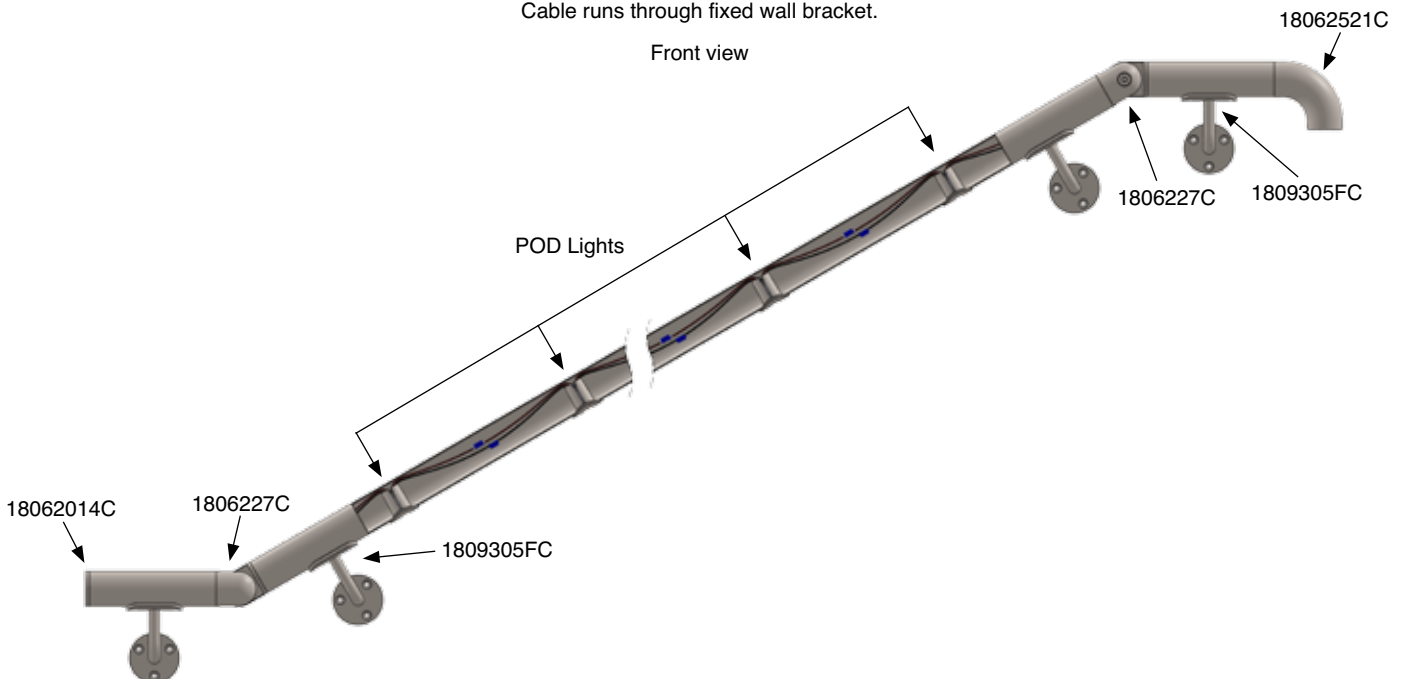
Plan view



HANDRAIL WITH END CAPS OR SCROLL ENDS

Cable runs through fixed wall bracket.

Front view

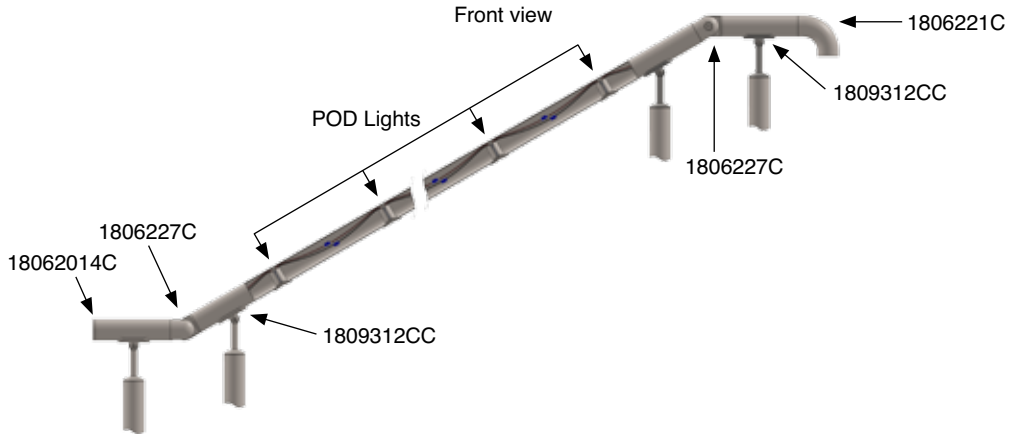




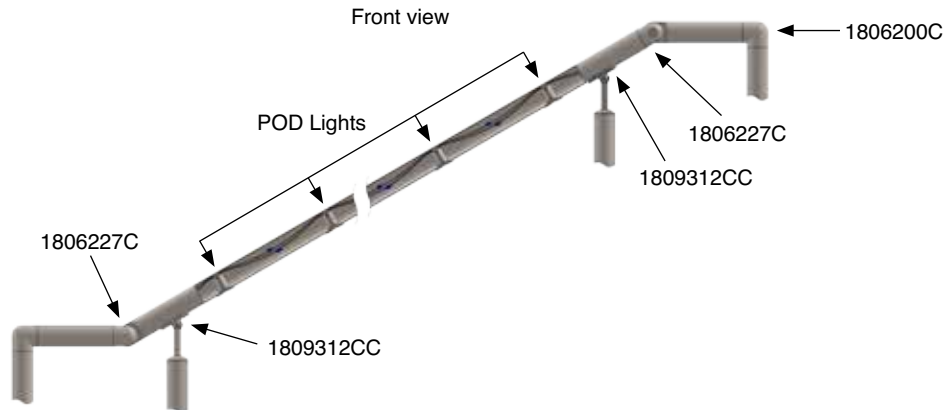
ILLUMIRAIL® POD SYSTEM

POST MOUNTING GUIDE

HANDRAIL WITH END CAPS OR SCROLL ENDS

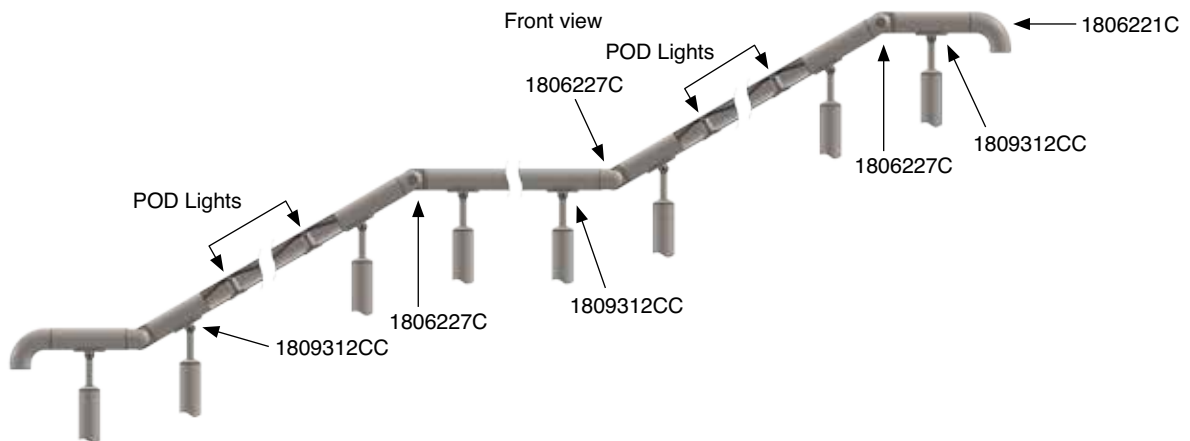


HANDRAIL WITH RETURN TO FLOOR ENDS



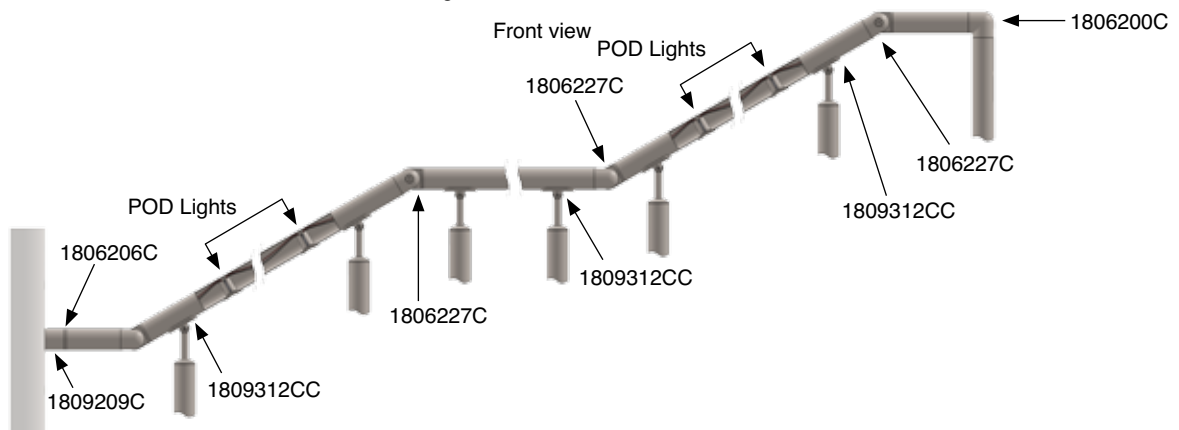
HANDRAIL WITH LANDING AND SCROLL ENDS

Cable runs through fixed bracket on landing.

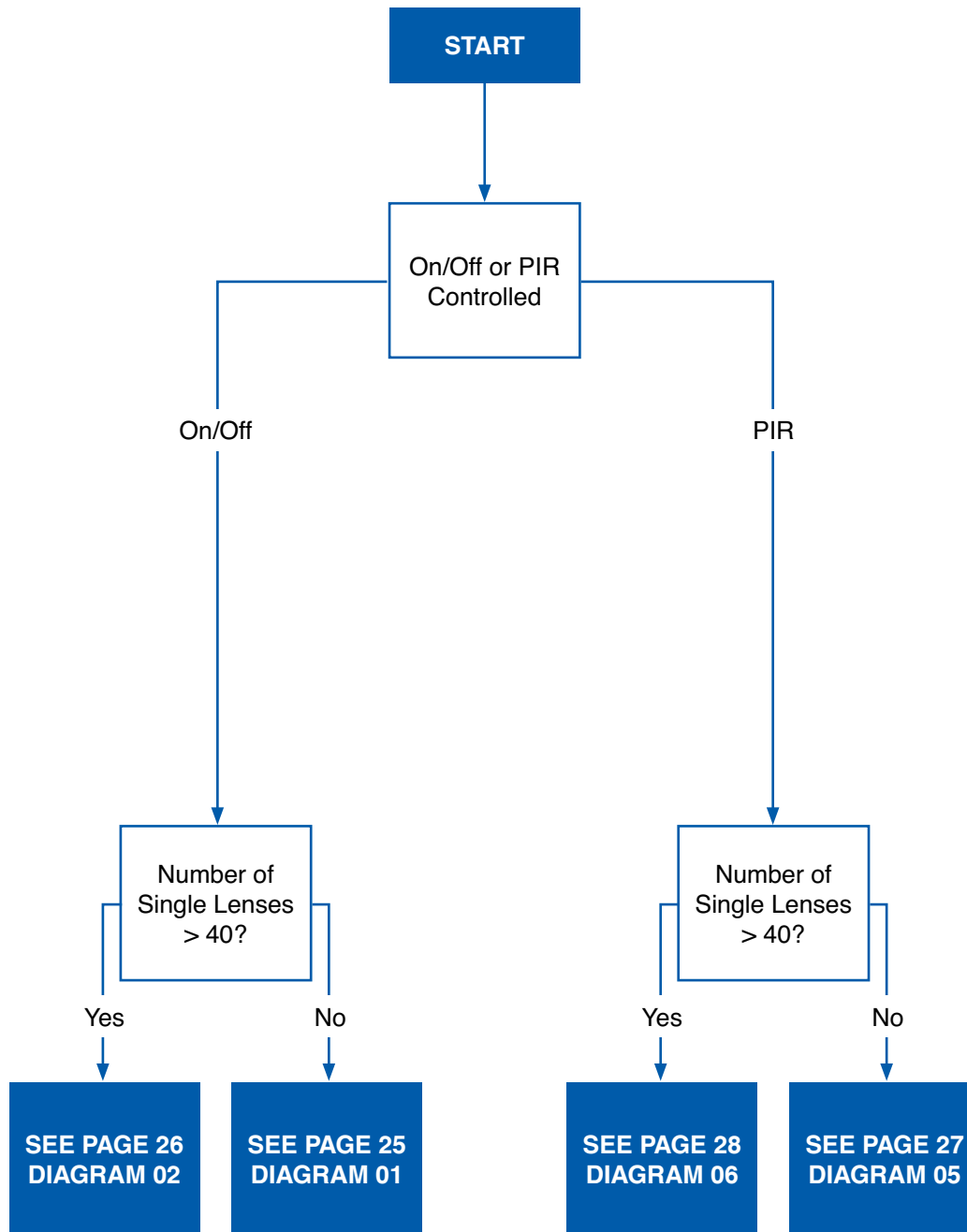


HANDRAIL WITH LANDING AND RETURN TO FLOOR ENDS OR WALL

Cable runs through return to floor ends or into the wall.



PRODUCT SELECTION FLOWCHART

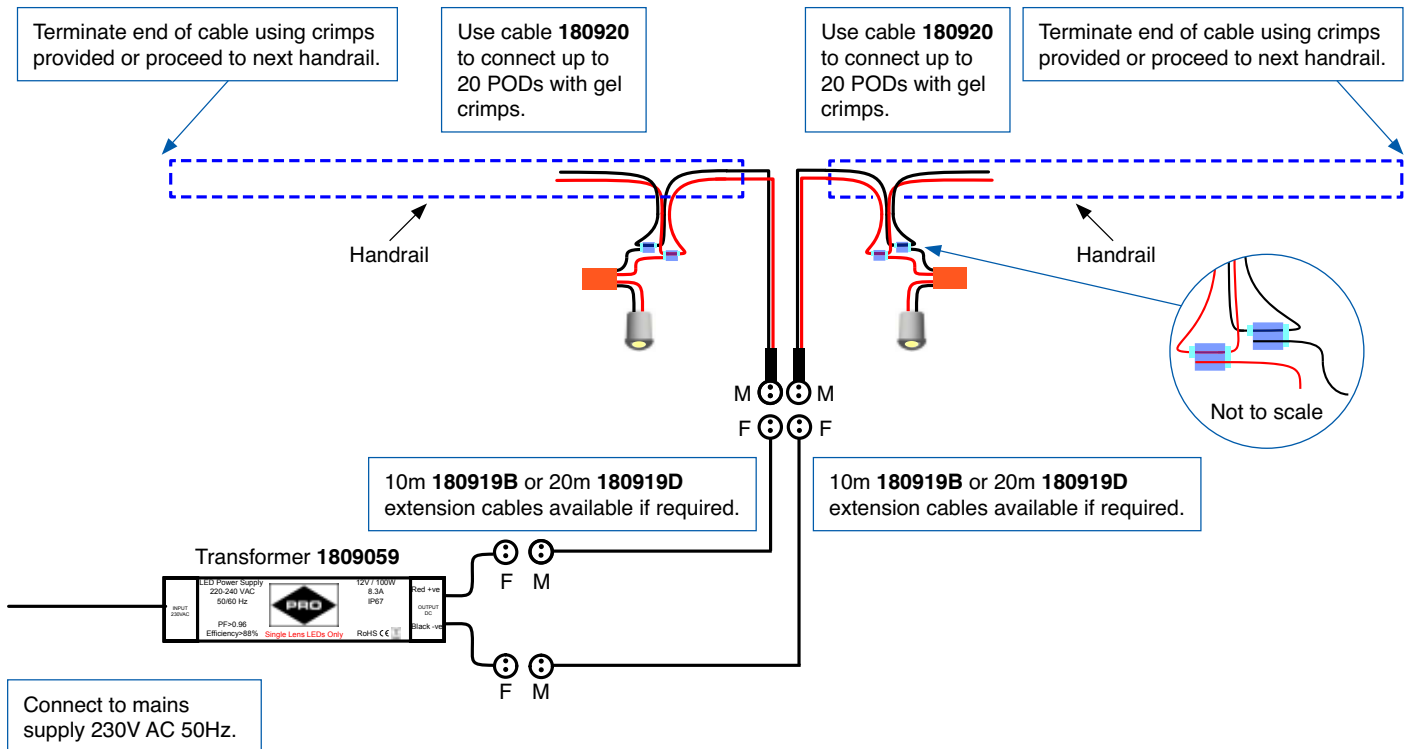




ILLUMIRAIL® POD SYSTEM

DIAGRAM 01

Single Lens System. On / Off operation. Up to 40 LEDs.

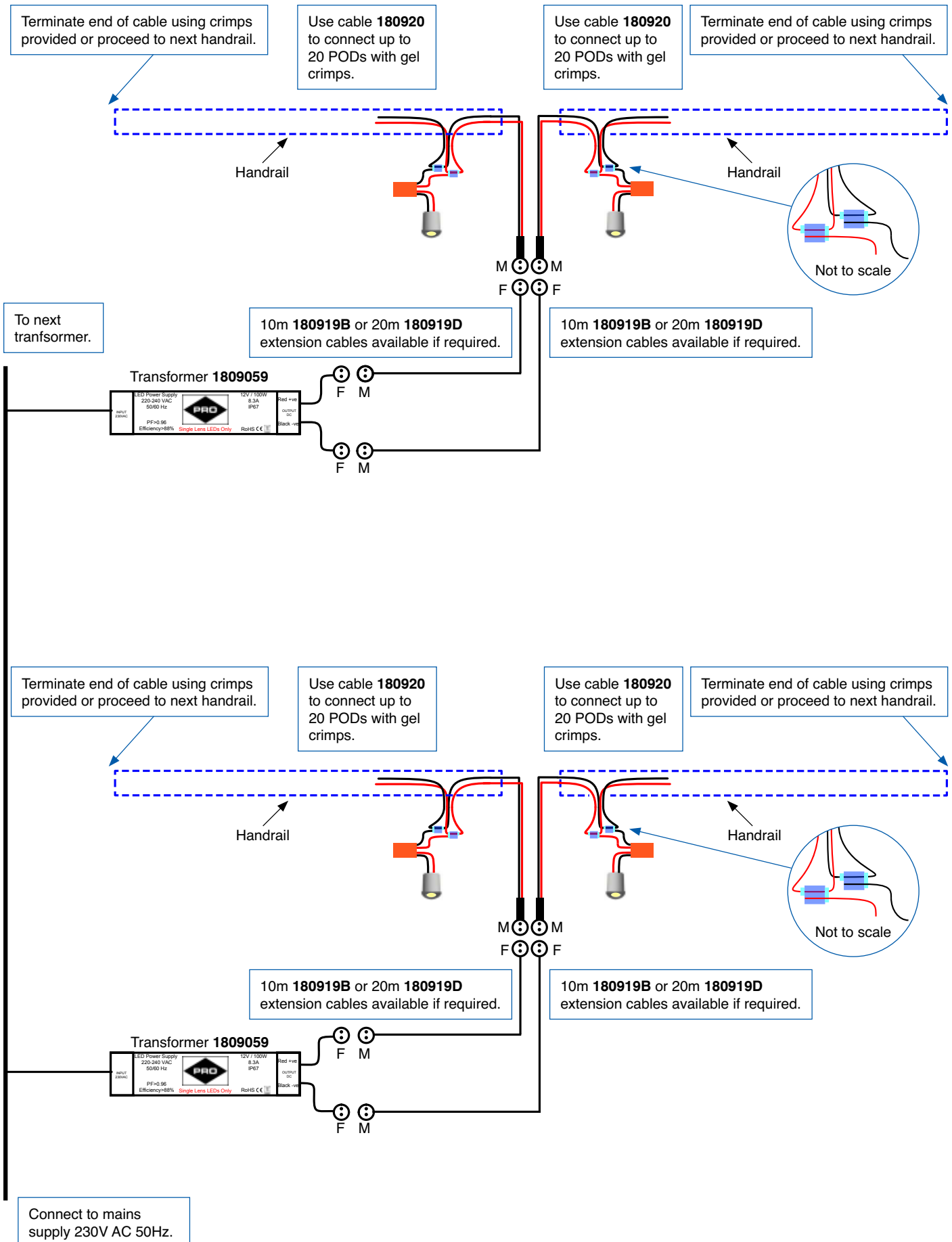


ILLUMIRAIL[®] POD SYSTEM

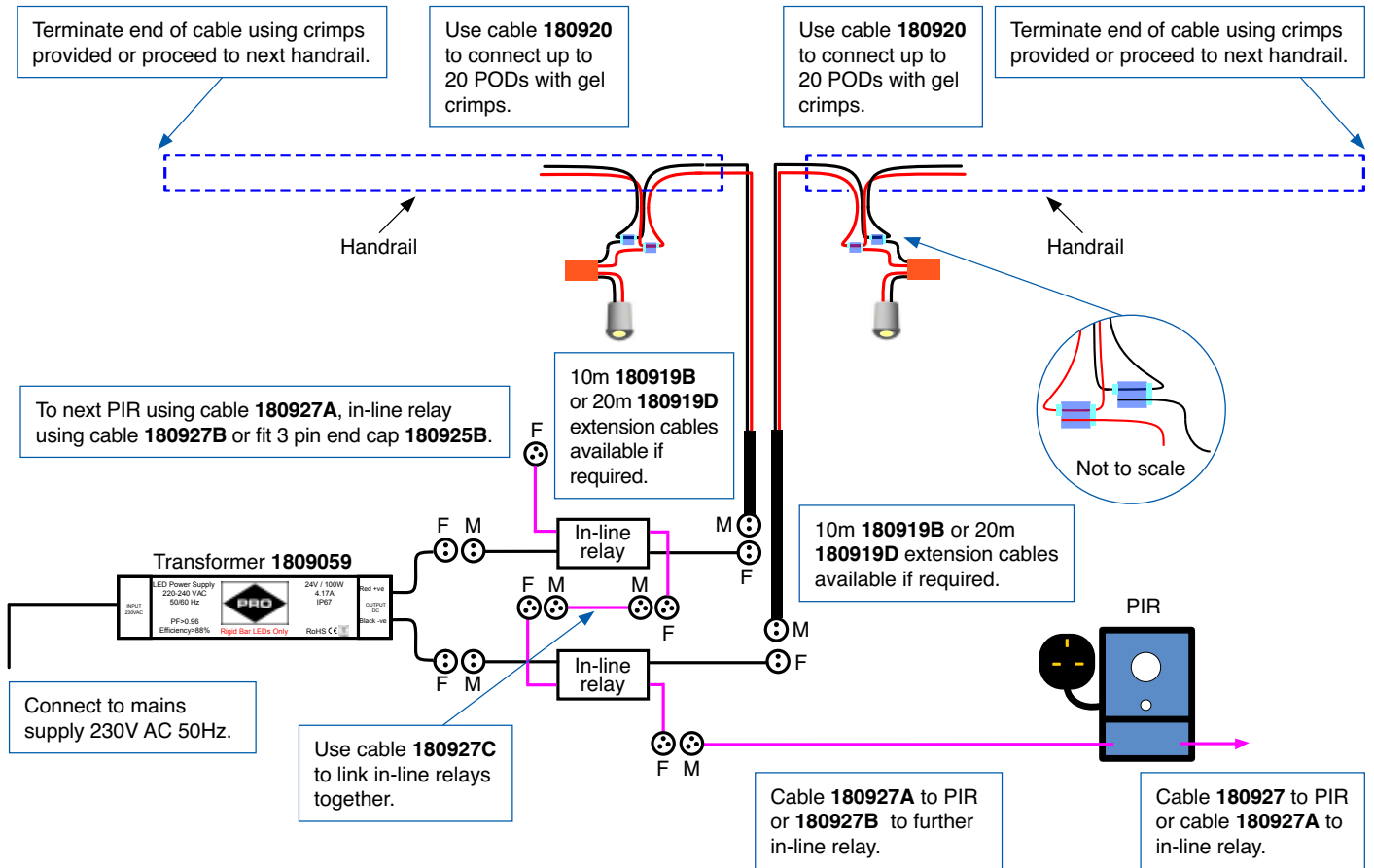


DIAGRAM 02

Single Lens System. On / Off operation. Over 40 LEDs.



Single Lens System. PIR(s) operation. Up to 40 LEDs.

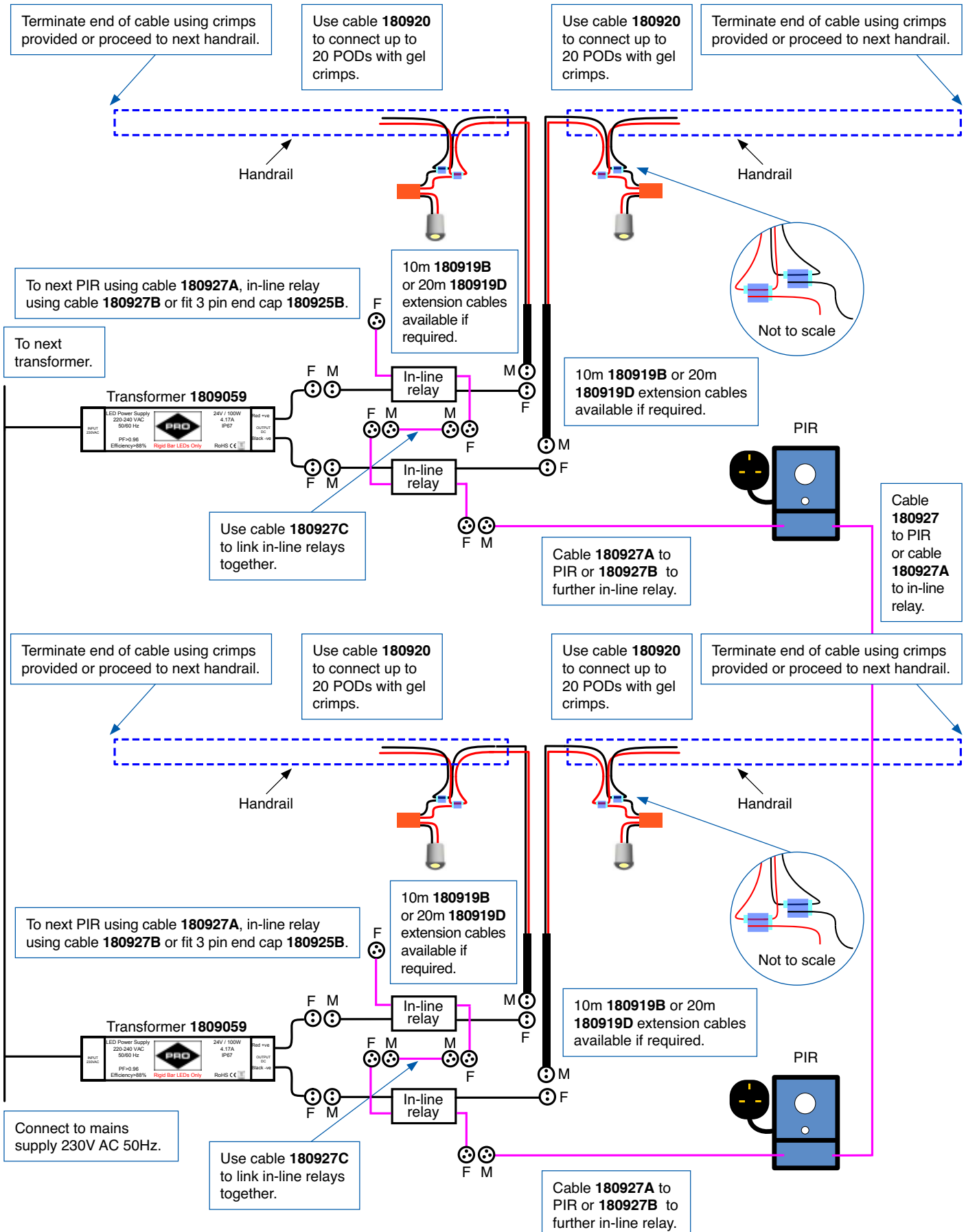


ILLUMIRAIL[®] POD SYSTEM



DIAGRAM 06

Single Lens System. Multiple PIR(s) operation. More than 40 LEDs.





ILLUMIRAIL® POD SYSTEM

WALL MOUNTING FITTINGS

HOLLOW TUBE



Finish	Ø mm	Length mm	Wall Thickness mm	Code
316	42.4	3000	2.0	1806704C
316	42.4	6000	2.0	1806700C

WALL BRACKET



Finish	Ø mm	Code
316	42.4	1809305FC

With cable hole

SMOOTH ADJUSTABLE ELBOW



Finish	Ø mm	Code
316	42.4	1806227C

IN-LINE CONNECTOR



Finish	Ø mm	Code
316	42.4	1806206C

90° ELBOW RADIUSED CORNER



Finish	Ø mm	Code
316	42.4	1806200C

FLAT TOP END CAP



Finish	Ø mm	Code
316	42.4	1806214C

OTHER ELBOW & END CAP OPTIONS AVAILABLE, SEE PRO-RAILING CATALOGUE.

EXTERNAL ROUND TUBE FLANGE



Finish	Ø mm	Code
316	42.4	1806209C

TUBE SECTION



Finish	Ø mm	Length mm	Code
316	42.4	55	1809508

SCROLL END



Finish	Ø mm	Code
316	42.4	1806221C

ILLUMIRAIL® POD SYSTEM



POST MOUNTING FITTINGS

HOLLOW TUBE



Finish	Ø mm	Length mm	Wall Thickness mm	Code
316	42.4	3000	2.0	1806704C
316	42.4	6000	2.0	1806700C

HANDRAIL SADDLE



Finish	Ø mm	Code
316	42.4	1809310CC

With cable hole.
To be used with double clip

HANDRAIL SADDLE ADJUSTABLE SPIGOT



Finish	Ø mm	Code
316	42.4	1809312CC

With cable hole

HANDY TIP



For ease of application use pre-assembled posts, just replace the saddle for one with a cable hole.



**OTHER ELBOW & END CAP
OPTIONS AVAILABLE, SEE
PRO-RAILING CATALOGUE.**

TUBE CONNECTOR



Finish	Ø mm	Code
316	42.4	1809313CC

With cable hole.
Use instead of saddles

ADJUSTABLE ELBOW



Finish	Ø mm	Code
316	42.4	1806203C

SMOOTH ADJUSTABLE ELBOW



Finish	Ø mm	Code
316	42.4	1806227C

IN-LINE CONNECTOR



Finish	Ø mm	Code
316	42.4	1806206C

90° ELBOW RADIUSED CORNER



Finish	Ø mm	Code
316	42.4	1806200C

WALL CONNECTOR



Finish	Ø mm	Code
316	42.4	1809209C

With cable hole

SCROLL END



Finish	Ø mm	Code
316	42.4	1806221C

FLAT TOP END CAP



Finish	Ø mm	Code
316	42.4	1806214C



ILLUMIRAIL® POD SYSTEM

WHITE LEDS

LED PODS



SPECIFICATIONS:

- CREE LED
- Spring assembly
- Includes driver
- Required DC supply
- Ø 24mm holes required in tube to fit POD lights
- Single lens POD, supplied with 2 gel crimps

Finish	Colour	To Suit Wall Thickness mm	Code
316	White (2700 - 3000K)	2.0 - 3.2	1809550

TRANSFORMER



SPECIFICATIONS:

- 70W
- 230V AC to 12V DC
- CE approved
- IP67, supplied with waterproof connector on the DC output
- PFC - 98%
- Efficiency >88%
- Supplied with one end cap

Description	Code
LED Driver - 12V DC/100W - IP67 Rated	1809509

CABLES

Description	Length m	Code
2 pin M-F, over-moulded IP67 cable. 5 amp max. DC extension cable	10m	180919B
2 pin M-F, over-moulded IP67 cable. 5 amp max. DC extension cable	20m	180919D
2 pin M, over-moulded IP67 cable. 5 amp max. DC to PODs, no outer sheath	10m	180920
3 pin sealing cap M. Makes end of run of cables watertight. For signal cables		180925B
STP signal cable, bare ends. Connects between PIR enclosures and ColourTouch controller	Per metre	180927
STP signal cable, bare ends to M. Connects in-line relays and PWM's to PIR or ColourTouch enclosure	10m	180927A
STP signal connection cable M to M. Connects between PWMs and in-line relays	10m	180927B
STP signal connection patch cable M to M. Connects between PWMs and in-line relays	300mm	180927C
STP signal extension cable M to F. Extends cables	10m	180927D

CONTROLS

Description	Code
PIR with enclosure, one or many per installation, wired to work directly from 230V AC supply	1809PIR
In-line relay module, one per transformer	1809IR

TOOLS

CRIMPING PLIERS

For gel crimps



Code
180959902

STEP DRILL



Drill Size Ø mm	Code
16 - 30	180959901

HIGH STRENGTH RETAINER

For use with tube fittings



ml	Code
50	1899007638

HIGH STRENGTH RETAINER

For use on assembled posts



ml	Code
10	189900763810

PIR ENCLOSURE

The PIR assembly also includes the daylight sensor on the front face of an IP67 ABS enclosure. In the enclosure is an engineer adjustment trim pot, which will be factory set and should not require on site alteration except in areas which are particularly shaded or bright.

A stainless steel enclosure is available. Please enquire.

The motion detection function can be provided by one, or many, PIRs. Requires 12V DC, plug top adaptor provided. Any PIR, once activated, will activate all LEDs and PODs in a system. The switching function is not performed within the PIR enclosure, but by an in-line relay at the transformer location.

A bus connection is made between all PIR enclosures and in-line relays. The bus uses three pin waterproof connectors and the bus cable is shielded as a twisted pair.

ALL PIRs USE 12V DC AND THIS CAN BE SUPPLIED IN TWO WAYS DEPENDING ON THE INSTALLATION:

- The PIR can have a waterproof power supply for connection to the mains within an enclosure. This requires a mains connection outside
- A plug in power supply is supplied as standard, which can be used in an indoor/waterproof location. This can be connected via twin 0.75mm cable to the PIR via a gland entry to the enclosure



PIRs can be added to the ColourTouch controller, to act as subordinate activators.

RGB - COLOURTOUCH INSTALLATIONS

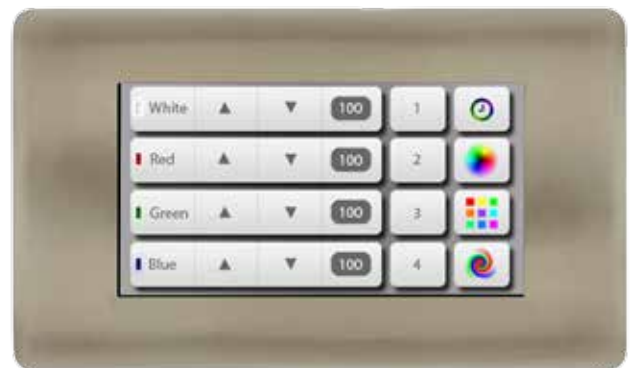
The ColourTouch 4.3" controller allows for the selection of discrete colours or produces patterns of colour changing effects at various user defined rates.

A local DC power supply is required and is supplied to suit a standard UK electrical double back box.

The ColourTouch controller can be sited in any location up to 50m from the installation and requires a 24V DC supply. When sited outdoors, the unit must be contained within a waterproof enclosure.

PIRs can be added to the system in a bus configuration. The PIR provides an on/off and daylight sensor function.

Colour changing is achieved using in-line PWM (Pulse Width Modulation) devices at the transformer location, connected to a bus using the same cable and connectors as the PIR bus.





Meet the Clamps

In Stock Now

Glass Stand-Off Adaptors
Satin Polish Effect
Round/Flat Back - Flat Front

NEW

Large Glass Clamp
Satin Polish Effect
Flat Back - Round Front

Weldable Glass Clamps
Mild Steel + Stainless Steel

NEW

Stamped Glass Clamp
Satin Polish Effect
Flat Back - Round Front

NEW

Small Glass Clamp
Satin Polish Effect
Flat Back - Round Front

NEW

Type C & D Glass Clamps
Galvanised
Ø 42.4 and 48.3mm

TILT-LOC™



Spigots have been developed with our revolutionary tilt-lock adjustment technology to cover all loading requirements and glass thicknesses. Made from ultra-marine stainless Duplex 2205, these spigots are stronger and require less cleaning than Type 316.

JULIETTE BALCONY



Glass balconies are sought after architectural features in today's homes, our single and double Juliette glass balcony kits are fabricated from Ø 48.3mm Type 316 stainless steel and come complete with rails, brackets & pre-assembled posts with glass clamps.

PANELGRIP®



The PanelGrip® System utilises a unique locking mechanism of high-strength aluminium and PVC isolators combined with a specially designed aluminium Shoe Moulding.

WIRE ROPE



A stainless steel 3mm strand wire rope system is simple and cost effective. It can be fixed to most surfaces including wood, metal and brick and is ideal for external applications in residential and commercial environments.

FLEXIRAIL®



The most flexible handrailing solution for stairs, gradients and around corners. Made with Ø 48.3 x 3.2mm galvanised tube.

MEZZIRAIL®



The system is supplied with BZP square RHS posts, tube and galvanised flat bar kick plate to conform to BS 4592-0:2006+A1:2012 requirements.

PRE-ASSEMBLED POSTS



Satin polish pre-assembled glass clamp posts come in both $\text{\O} 42.4$ and 48.3mm , Type 304 and 316 stainless steel. End, corner and mid posts cut installation time dramatically to create a stylish glass handrail, made for 10mm glass, other size rubbers available.

BAR SYSTEM



Our crossbar system can provide a modern handrail and balustrade for many applications. Providing another practical alternative to a glazed balustrade. Flexible components allow for 7 rails to be fitted as standard.

GLASS STAND-OFF ADAPTORS



Adjustable glass stand-off adaptors suit glass up to 25.52mm. Available in stainless steel Type 316 these adaptors are a great solution for a stylish look and feel.

MINI TOP RAIL



This system has been designed to reduce visual impact on top rail. Available in either round or square, stainless steel Type 316, all products are satin finish. Mini top rail is designed to suit 10 - 12mm glass and requires no welding.

WEDGE-LOC™ - 3KN



A flexible system allowing installation of glass panels from 15 - 25mm thick to achieve up to 3kN/m loadings. Various fixing options result in a system suitable for almost every application you will come across.



WE STOCK A HUGE RANGE OF GREAT HANDRAIL PRODUCTS, PLEASE ASK FOR A COPY OF THE HANDRAIL & FLOORING CATALOGUE OR VISIT www.fhbrundle.co.uk



WROUGHT IRON COMPONENTS



PRO-RAILING



TUBE CLAMPS



GATE AUTOMATION



STEEL



MESH

IF YOU WOULD LIKE TO RECEIVE A COPY OF ANY OF OUR CATALOGUES, PLEASE CONTACT ONE OF THE BRANCHES FROM THE LIST BELOW.

- TOP QUALITY PRODUCTS
- FRIENDLY, RELIABLE SERVICE
- NATIONWIDE DELIVERY
- CONSISTENTLY KEEN PRICES
- THE MOST COMPREHENSIVE RANGE OF PRODUCTS FROM ONE SUPPLIER
- ON-LINE ORDERING 24/7

12/2015

Please phone your nearest branch for further details

502 Millbrook Road
Third Avenue
Millbrook
Southampton
Hants SO15 0JX

Tel: 023 8070 3333
Fax: 023 8070 5555

Lamson Road
Ferry Lane North
Rainham
Essex
RM13 9YY

Tel: 01708 25 35 45
Fax: 01708 25 35 50

Condor Road
Quarry Hill Ind. Est
Ilkeston
Derbyshire
DE7 4RE

Tel: 0115 930 2070
Fax: 0115 951 2455

81-82 Middlemore Ind. Est
Middlemore Road
Smethwick
Birmingham
B66 2EP

Tel: 0121 565 8282
Fax: 0121 565 8292

Haydock Lane
Haydock Ind. Est
St. Helens
Merseyside
WA11 9XE

Tel: 01942 86 88 88
Fax: 01942 86 88 99

Huly Hill Road
Edinburgh Interchange
Newbridge
Edinburgh
EH28 8PH

Tel: 0131 335 5999
Fax: 0131 335 5911

28 Coxhill Street
Port Dundas
Springburn
Glasgow
G21 1HN

Tel: 0141 332 3231
Fax: 0141 332 7325

Web: www.fhbrundle.co.uk

Email: sales@brundle.com